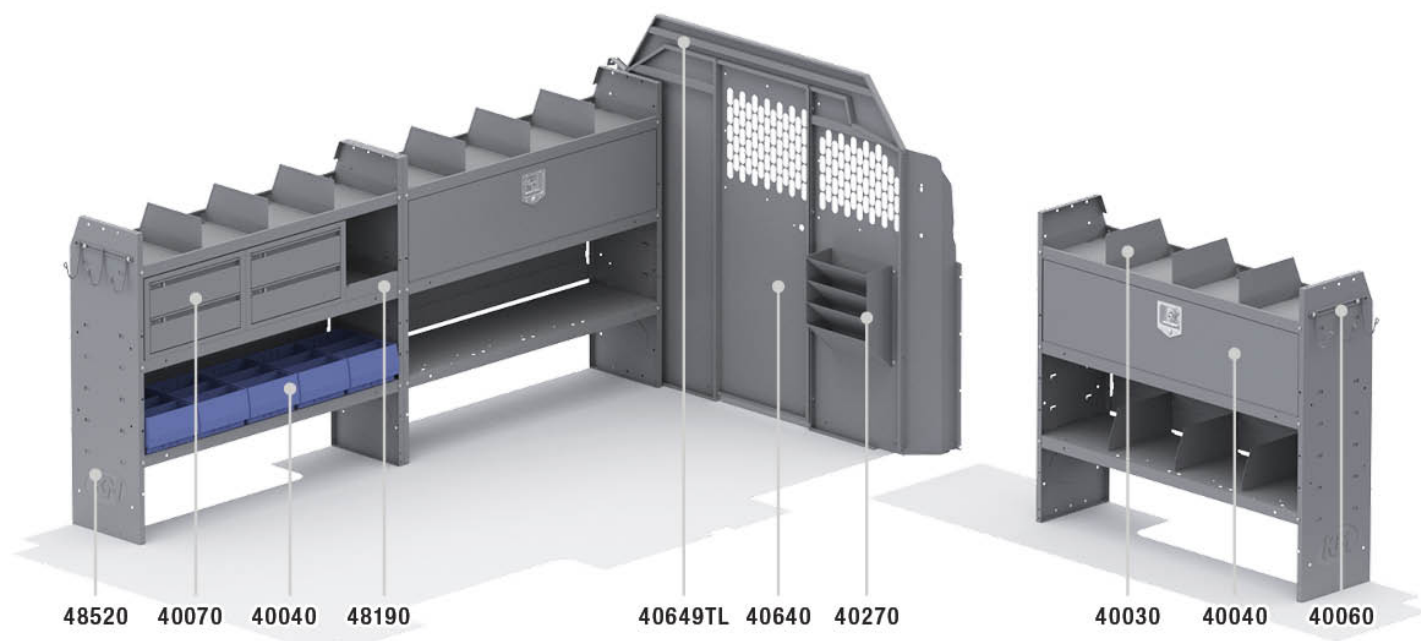


SECURITY 46" H SHELVES - TRANSIT 148" WB LOW ROOF

Part # : 43TLL



Keep valuable tools and parts secure.

With two locking shelf doors and plenty of storage for tools and parts, the Holman Security packages have you covered.

PACKAGE INCLUDES

ITEM	DESCRIPTION	QTY
40640	Partition - Perforated - Transit & NV Low Roof, GM, Metris	1
48520	Shelf Unit - 52" W x 46" H x 14" D	3
40040	Shelf Door Kit 52" W	2
40070	Drawer Cabinet - 2 Drawers	2
40270	Hanging File Holder	1
40060	Hook - 3 Prong "J"	2
40030	Shelf Dividers 6" Tall (Set of 6)	2
48190	Shelf Lip 10" L x 2.75" H	1
40311	Small Parts Shelf Bin - 10" W Plastic	5
40649TL	Partition Wing Kit - Transit Low Roof	1