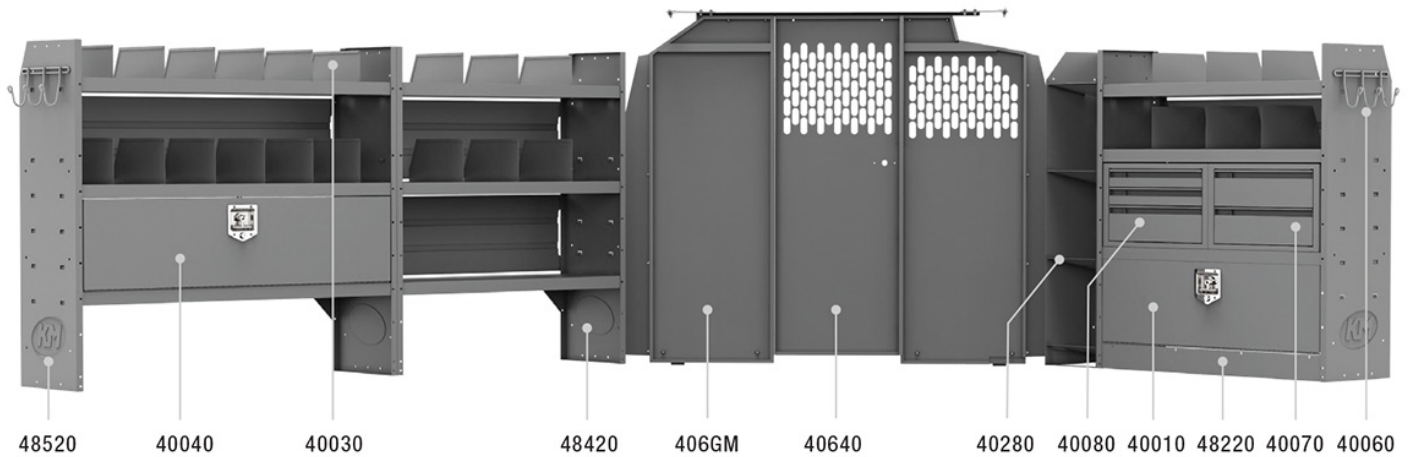


GENERAL CONTRACTOR 46" H SHELVES - GM 135" WB

Part # : 4002C



All the essentials for a well-organized van

Stocked with heavy duty 18 gauge steel partition, Kargo Master shelving units and secure locking door and drawer units keep your valuable tools and equipment out of site. Plenty of dividable visible storage space for easy access to larger parts and tools.

PACKAGE INCLUDES

ITEM	DESCRIPTION	QTY
40640	Partition - Perforated - Transit & NV Low Roof, GM, Metris	1
48420	Shelf Unit - 42" W x 46" H x 14" D	2
48520	Shelf Unit - 52" W x 46" H x 14" D	1
40010	Shelf Door Kit 42" W	1
40040	Shelf Door Kit 52" W	1
40070	Drawer Cabinet - 2 Drawers	1
40080	Drawer Cabinet - 3 Drawers	1
40280	Binder Rack - Standing	1
40060	Hook - 3 Prong "J"	2
40030	Shelf Dividers 6" Tall (Set of 6)	4
48220	Floor Angle/Shelf Lip 42" W	1
406GM	Partition Wing Kit - GM	1

