

Holman
Driving What's Right



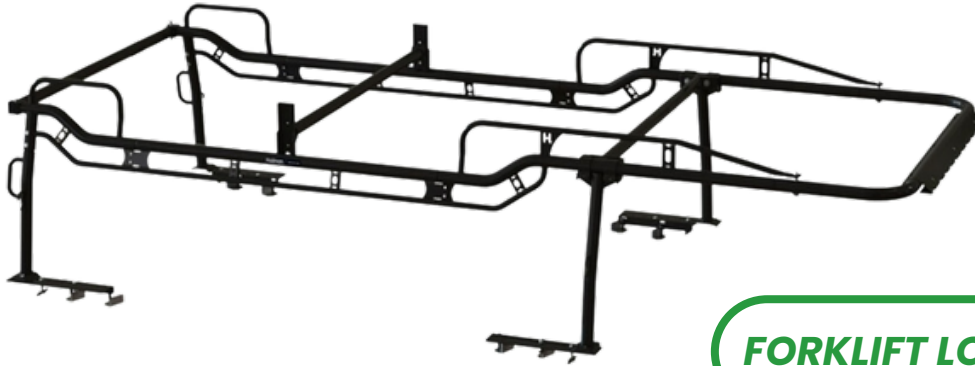
THE PRO RACK TOOLKIT

holman.com/equipment



orderteam@holman.com

THE PRO RACK



FORKLIFT LOADABLE



STANDARD PRO RACK

PRODUCT DESCRIPTION:

The Pro Rack introduces a new line of heavy-duty racks tailored for full-size work trucks, service bodies, and platform bodies. It represents the next stage in the evolution of Holman's Pro II racks, integrating enhancements in critical areas while preserving the strength, durability, and versatility our customers appreciate.

NEW FEATURES:

- A** Optional forklift loadable side rails to allow for safer and more efficient loading of the rack
- B** Swing-out rear crossbar designed to ease the loading process
- C** Adjustable front leg mounting to fit more vehicle applications with a single rack
- D** Easy entry grab handles mounted low on the rear for added support
- E** Standard inclusion of a new scalloped wind deflector significantly reduces rack noise
- F** More fitment options to fit every truck configuration including short bed and crew cab applications

RETURNING FEATURES:

Premium Powder Coat Finish

- Zinc epoxy primed for superior corrosion protection
- Polyester marine-grade powder coat specially formulated to resist corrosion and abrasion
- Certified ASTM 1000 hour salt spray testing
- Will not fade or dull

Professional Look

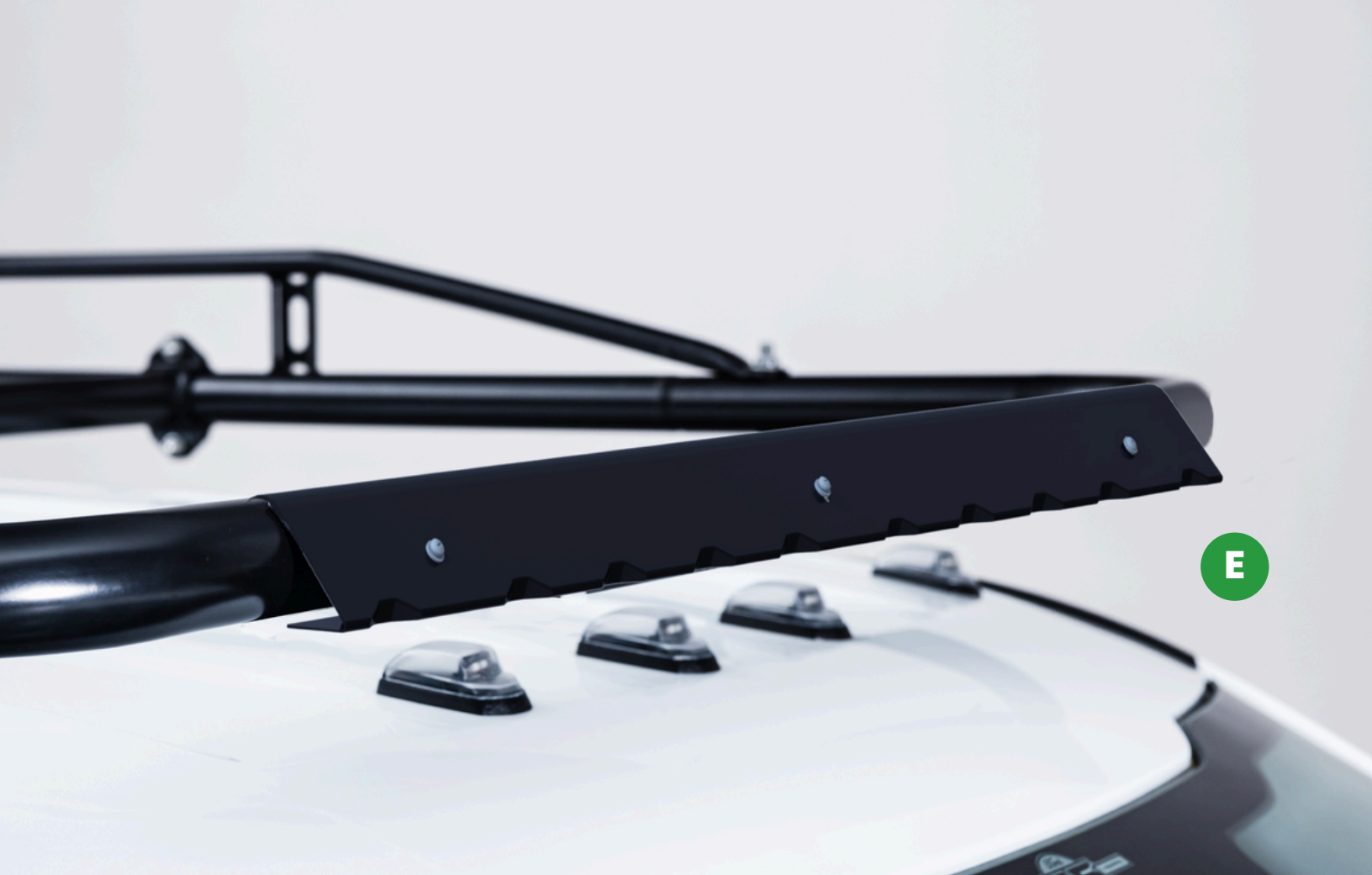
- Sleek "Flying Wedge" design
- Smooth round tube components
- Stylish gloss black

Additional Features

- High-strength rust-resistant fasteners
- Holman Warranty







PRO RACK FITMENT

To create a full Pro Rack for your application you will need to order:

STEP 1: The Leg & Crossbar Kit that fits your vehicle.

STEP 2: The Side Channel Kit that fits your vehicle's body style.

STEP 3: Any accessories you'd like to add onto your rack.

STEP 1: LEG & BAR KITS



TRUCKS WITHOUT CAPS

VEHICLE FITMENT	PART NUMBER
2015 - 2023 Ford F-150	12000
2017 - 2023 Ford F-250 / F-350	12000
2014 - 2023 Chevy Silverado 2500	12000
2014 - 2023 GMC Sierra 2500	12000
2009 - 2023 Ram 1500 / 2500 / 3500	12000
2014 - 2023 Chevy Silverado 1500	12006
2014 - 2023 GMC Sierra 1500	12006

STEP 2: SIDE CHANNEL KITS



BED LENGTH	CAB STYLE	STANDARD SIDES	FORKLIFT LOADABLE
Long Bed 94" - 98"	Regular Cab	12101	12202
Long Bed 94" - 98"	Extended Cab	12102	12203
Long Bed 94" - 98"	Crew Cab	12103	12204
Standard Bed 76" - 82"	Extended Cab	12101	12200
Standard Bed 76" - 82"	Crew Cab	12102	12201
Short Bed 66" - 70"	Crew Cab	12101	N / A
Service / Platform Bed 108"	Regular Cab	12102	12205
Service / Platform Bed 108"	Extended / Crew Cab	12103	12206
Service / Platform Bed 132"	Regular Cab	12103	12206

TRUCKS W/ CAB - HIGH CAPS

VEHICLE FITMENT	PART NUMBER
2015 - 2023 Ford F-150	12001
2017 - 2023 Ford F-250 / F-350	12001
2014 - 2023 Chevy Silverado 2500	12001
2014 - 2023 GMC Sierra 2500	12001
2009 - 2023 Ram 1500 / 2500 / 3500	12001
2014 - 2023 Chevy Silverado 1500	12007
2014 - 2023 GMC Sierra 1500	12007

STEP 3: ACCESSORIES



2 IN X 7 FT RETRACTABLE RATCHET STRAPS 31490

Attaches to the round tubing on truck and cargo racks. Use with Pro Series truck racks. (Set of 2)



UTILITY HOOK 31150

Outboard side mount hook holds coiled materials or sheet metal

TRUCKS W/ 29" HIGH CAPS

VEHICLE FITMENT	PART NUMBER
2015 - 2023 Ford F-150	12003
2017 - 2023 Ford F-250 / F-350	12003
2014 - 2023 Chevy Silverado 2500	12003
2014 - 2023 GMC Sierra 2500	12003
2009 - 2023 Ram 1500 / 2500 / 3500	12003



1 IN X 6 FT RETRACTABLE RATCHET STRAPS 31500

Attaches to the round tubing on truck and cargo racks. Use with Pro Series truck racks. (Set of 2)



EMERGENCY LIGHT MOUNT BRACKET 31700

Light mounted bracket for flasher lighting or antennas. Mounts to the side channel.



Extra Crossbar 31110

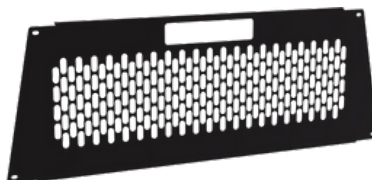
Provides additional load support.

FOR SERVICE BODIES

VEHICLE FITMENT	PART NUMBER
All Service Bodies	12004

FOR PLATFORM BODIES

VEHICLE FITMENT	PART NUMBER
All Platform Bodies	12005



Window Guard

Keep your window protected with a Window Guard for your Holman rack.

Window Guard for 12000	12908
Window Guard for 12006	12908
Window Guard for 12004	70070

PRO RACK PACKAGE GUIDE

USE THE FOLLOWING RACK PACKAGE DECODER TO IDENTIFY THE EXACT COMPLETE RACK TO FIT YOUR VEHICLE.

1st Position:	(2)	The PRO Rack
2nd & 3rd Position:	(FS)	Full-size Truck w/ 24" Cab
4th Position:	(S)	Standard Side Channels
5th Position:	(8)	8' Bed
6th Position:	(R)	Regular Cab

2 | FS | S | 8 | R

1st Position = Indicator for Rack Style	2	The PRO Rack
--	----------	--------------

2nd & 3rd Positions = Vehicle Style Code	SS	Full-Size Truck, 22" Cab <i>Chevy/GMC 1500</i>
	SC	Full-Size Trucks w/ Cap, 22" Cap <i>Chevy/GMC 1500</i>
	FS	Full-Size Truck, 24" Cab <i>Ford F-150/F-250/F-350; Chevy/GMC 2500/3500; Ram 1500/2500</i>
	FC	Full-Size Truck w/ Cap, 24" Cap <i>Ford F-150/F-250/F-350; Chevy/GMC 2500/3500; Ram 1500/2500</i>
	HC	Full-Size Trucks w/ Cap, 29" Cap <i>Ford, Chevy/GMC; Ram</i>
	SB	Service Body
	PB	Platform Body

4th Position = Side Channel Style	S	Standard Option
	F	Forklift Loadable Option

5th Position = Bed/Body Length	5	5.5' Bed/Body
	6	6.5' Bed/Body
	8	8' Bed/Body
	9	9' Bed/Body
	1	11' Bed/Body

6th Position = Cab Size	R	Regular Cab
	E	Extended Cab
	C	Crew Cab

PRO RACK PACKAGES

THE PRO TRUCK RACK FOR FULL SIZE TRUCKS – STANDARD

PACKAGE	DESCRIPTION	LEG & BAR	SIDE CHANNEL
22" HIGH CAB			
2SSS5C	22" Cab 5-1/2' Bed, Crew Cab	12006	12101
2SSS6E	22" Cab 6-1/2' Bed, Extended Cab	12006	12101
2SSS6C	22" Cab 6-1/2' Bed, Crew Cab	12006	12102
2SSS8R	22" Cab 8' Bed, Regular Cab	12006	12101
2SSS8E	22" Cab 8' Bed, Extended Cab	12006	12102
2SSS8C	22" Cab 8' Bed, Crew Cab	12006	12103
24" HIGH CAB			
2FSS5C	24" Cab 5-1/2' Bed, Crew Cab	12000	12101
2FSS6E	24" Cab 6-1/2' Bed, Extended Cab	12000	12101
2FSS8R	24" Cab 8' Bed, Regular Cab	12000	12101
2FSS6C	24" Cab 6-1/2' Bed, Crew Cab	12000	12102
2FSS8E	24" Cab 8' Bed, Extended Cab	12000	12102
2FSS8C	24" Cab 8' Bed, Crew Cab	12000	12103

THE PRO TRUCK WITH CAP RACK FOR FULL SIZE TRUCKS – STANDARD

PACKAGE	DESCRIPTION	LEG & BAR	SIDE CHANNEL
22" HIGH CAP			
2SCS5C	22" Cap 5-1/2' Bed, Crew Cab	12007	12101
2SCS6E	22" Cap 6-1/2' Bed, Extended Cab	12007	12101
2SCS6C	22" Cap 6-1/2' Bed, Crew Cab	12007	12102
2SCS8R	22" Cap 8' Bed, Regular Cab	12007	12101
2SCS8E	22" Cap 8' Bed, Extended Cab	12007	12102
2SCS8C	22" Cap 8' Bed, Crew Cab	12007	12103
24" HIGH CAP			
2FCS5C	24" Cap 5-1/2' Bed, Crew Cab	12001	12101
2FCS6E	24" Cap 6-1/2' Bed, Extended Cab	12001	12101
2FCS6C	24" Cap 6-1/2' Bed, Crew Cab	12001	12102
2FCS8R	24" Cap 8' Bed, Regular Cab	12001	12101
2FCS8E	24" Cap 8' Bed, Extended Cab	12001	12102
2FCS8C	24" Cap 8' Bed, Crew Cab	12001	12103
29" HIGH CAP			
2HCS5C	29" Cap 5-1/2' Bed, Crew Cab	12003	12101
2HCS6E	29" Cap 6-1/2' Bed, Extended Cab	12003	12101
2HCS6C	29" Cap 6-1/2' Bed, Crew Cab	12003	12101
2HCS8R	29" Cap 8' Bed, Regular Cab	12003	12101
2HCS8E	29" Cap 8' Bed, Extended Cab	12003	12102
2HCS8C	29" Cap 8' Bed, Crew Cab	12003	12103

THE PRO SERVICE BODY RACK FOR FULL SIZE TRUCKS – STANDARD

(OPTIONS AVAILABLE IN WHITE)

PACKAGE	DESCRIPTION	LEG & BAR	SIDE CHANNEL
2SBS8R	8' Body, Regular Cab	12004	12101
2SBS8E	8' Body, Extended Cab	12004	12102
2SBS8C	8' Body, Crew Cab	12004	12102
2SBS9R	9' Body, Regular Cab	12004	12103
2SBS9E	9' Body, Extended Cab	12004	12103
2SBS1R	11' Body, Regular Cab	12004	12103

THE PRO TRUCK RACK FOR FULL SIZE TRUCKS – FORKLIFT LOADABLE

PACKAGE	DESCRIPTION	LEG & BAR	SIDE CHANNEL
22" HIGH CAB			
2SSF6E	22" Cab Forklift Loadable 6-1/2' Bed, Extended Cab	12006	12200
2SSF6C	22" Cab Forklift Loadable 6-1/2' Bed, Crew Cab	12006	12201
2SSF8R	22" Cab Forklift Loadable 8' Bed, Regular Cab	12006	12202
2SSF8E	22" Cab Forklift Loadable 8' Bed, Extended Cab	12006	12203
2SSF8C	22" Cab Forklift Loadable 8' Bed, Crew Cab	12006	12204
24" HIGH CAB			
2FSF6E	24" Cab Forklift Loadable 6-1/2' Bed, Extended Cab	12000	12200
2FSF6C	24" Cab Forklift Loadable 6-1/2' Bed, Crew Cab	12000	12201
2FSF8R	24" Cab Forklift Loadable 8' Bed, Regular Cab	12000	12202
2FSF8E	24" Cab Forklift Loadable 8' Bed, Extended Cab	12000	12203
2FSF8C	24" Cab Forklift Loadable 8' Bed, Crew Cab	12000	12204

THE PRO PLATFORM BODY RACK FOR FULL SIZE TRUCKS – FORKLIFT LOADABLE

PACKAGE	DESCRIPTION	LEG & BAR	SIDE CHANNEL
2PBF8R	Forklift Loadable 8' Body, Regular Cab	12202	12005
2PBF8E	Forklift Loadable 8' Body, Extended Cab	12203	12005
2PBF8C	Forklift Loadable 8' Body, Crew Cab	12204	12005
2PBF9R	Forklift Loadable 9' Body, Regular Cab	12205	12005
2PBF9E	Forklift Loadable 9' Body, Extended Cab	12206	12005
2PBF1R	Forklift Loadable 11' Body, Regular Cab	12206	12005

THE PRO PLATFORM BODY RACK FOR FULL SIZE TRUCKS – STANDARD

PACKAGE	DESCRIPTION	LEG & BAR	SIDE CHANNEL
2PBS8R	8' Body, Regular Cab	12101	12005
2PBS8E	8' Body, Extended Cab	12102	12005
2PBS8C	8' Body, Crew Cab	12103	12005
2PBS9R	9' Body, Regular Cab	12102	12005
2PBS9E	9' Body, Extended Cab	12103	12005
2PBS1R	11' Body, Regular Cab	12103	12005

THE PRO SERVICE BODY RACK FOR FULL SIZE TRUCKS – FORKLIFT LOADABLE

(OPTIONS AVAILABLE IN WHITE)

PACKAGE	DESCRIPTION	LEG & BAR	SIDE CHANNEL
2SBF8R	Forklift Loadable 8' Body, Regular Cab	12004	12202
2SBF8E	Forklift Loadable 8' Body, Extended Cab	12004	12203
2SBF8C	Forklift Loadable 8' Body, Crew Cab	12004	12204
2SBF9R	Forklift Loadable 9' Body, Regular Cab	12004	12205
2SBF9E	Forklift Loadable 9' Body, Extended Cab	12004	12206
2SBF1R	Forklift Loadable 11' Body, Regular Cab	12004	12206

*FORKLIFT LOADABLE OPTIONS NOT COMPATIBLE W/ CAP RACKS

Holman
Driving What's Right