

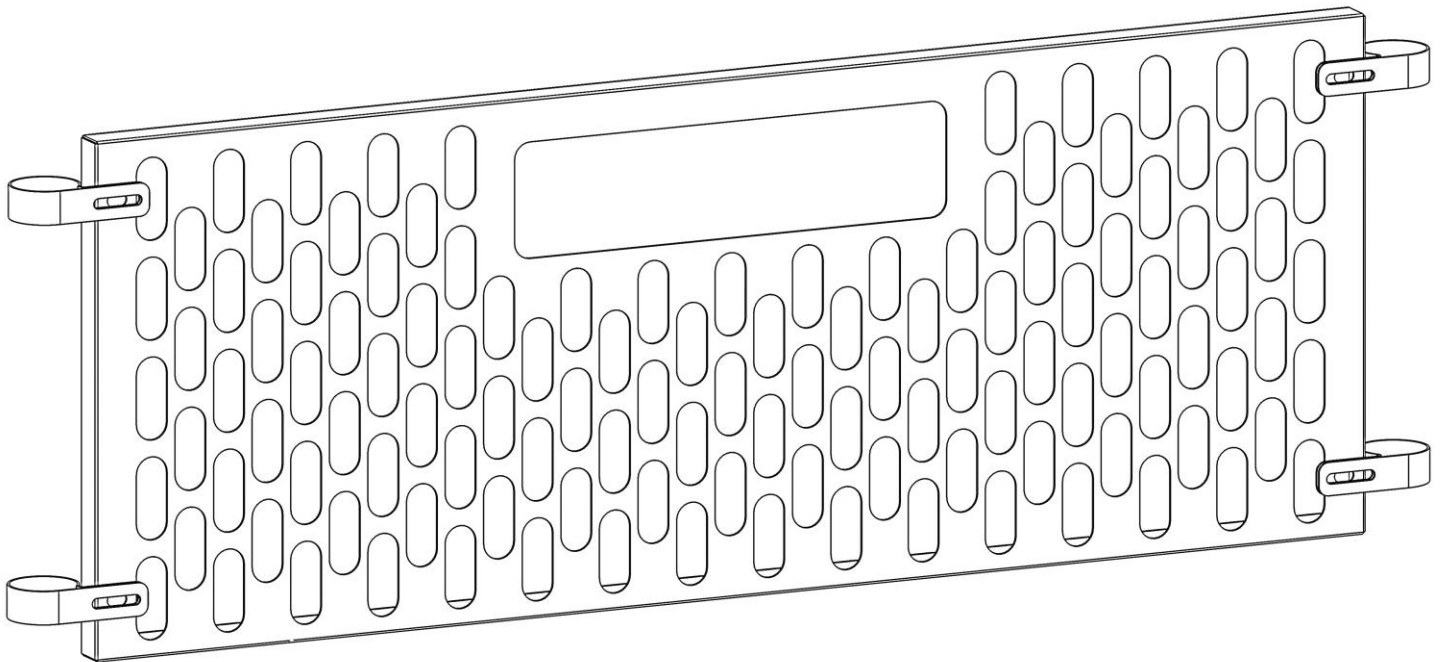
# KARGO MASTER®

**WE PUT EVERYTHING WITHIN REACH.**

---

## Installation Guide 70070, 70073

---



---

Kargo Master  
Rancho Cordova, CA 95742  
800-343-7486  
CustomerService@KargoMaster.com

---

**\* PLEASE READ ALL INSTRUCTIONS AND WARNINGS PRIOR TO ASSEMBLING, INSTALLING, AND USING THIS PRODUCT. \***

**Warning**



**Secure all payloads properly for safe transportation.**

**Tools Needed**

1/2" Socket and Wrench	1/2" Box Wrench
------------------------	-----------------

**Table of Contents**

Before You Begin ..... 1

Parts List..... 1

Hardware ..... 2

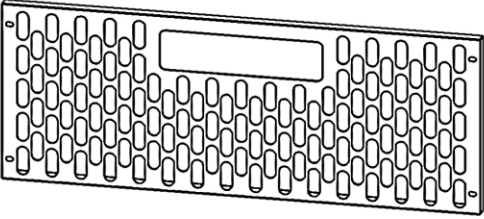
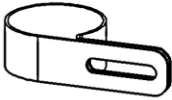
Step 1 – Top Tube Clamps ..... 2

Step 2 – Lower Tube Clamps..... 3

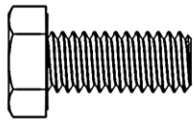

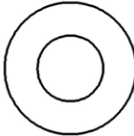
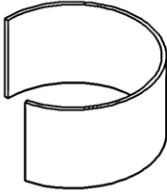
**Before You Begin**

- Read all instructions prior to assembling or installing any Kargo Master product.
- **Always locate your installation locations prior to performing any work.**
- Have rack preassembled before installation of window guard.

**Parts List**

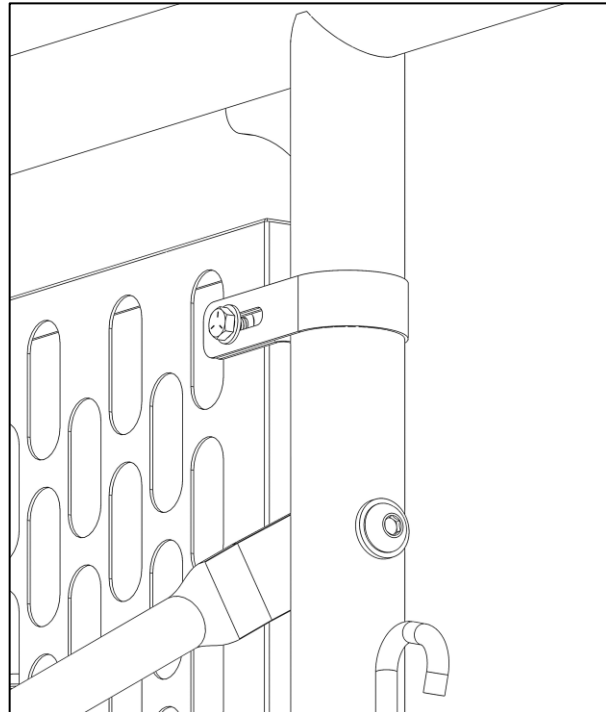
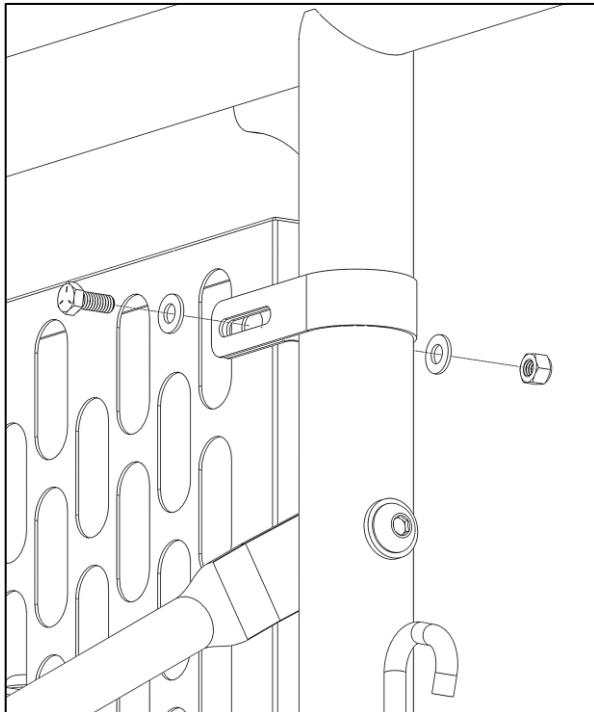
NO.	ITEM	PART NUMBER	DESCRIPTION	QTY.
1		BLACK: 70070-00-001  WHITE: 70070-00-001W	SERVICE BODY RACK WINDOW GUARD	1
2		BLACK: 12-00191  WHITE: 12-00191W	2" TUBE CLAMP	4
3		18-00160	ECONO WINDOW GUARD HARDWARE KIT	1

**Hardware**

ITEM	HARDWARE TO SCALE	PART NUMBER	DESCRIPTION	QTY.
1			5/16-18 X 3/4" HEX HEAD BOLT	4
2		0169777	5/16"-18 LOCK NUT	4
3		11545144	5/16" FLAT WASHER	8
4	 *NOT TO SCALE	12-00191A	CORK PAD	2

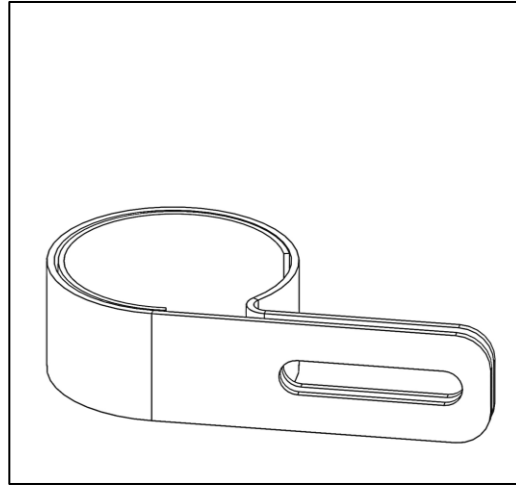
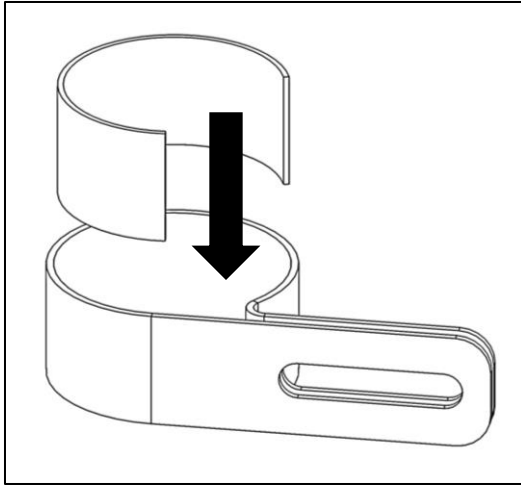
**Step 1 – Top Tube Clamps**

- Place two 2" tube clamps around the top of each of the front legs of rack with flat end of flange towards the rear.
- Put and hold window guard into position with flat face facing towards the rear.
- For each tube clamp, use a 5/16" x 3/4" hex bolts, two 5/16" flat washers, and a 5/16" lock nut to loosely bolt through the tube clamp, and then the window guard.
- Snug tighten one bolt and nut, but allow for movement of the window guard.
- Holding the window guard level, tighten opposing side bolt and nuts.
- TIGHTEN hardware.

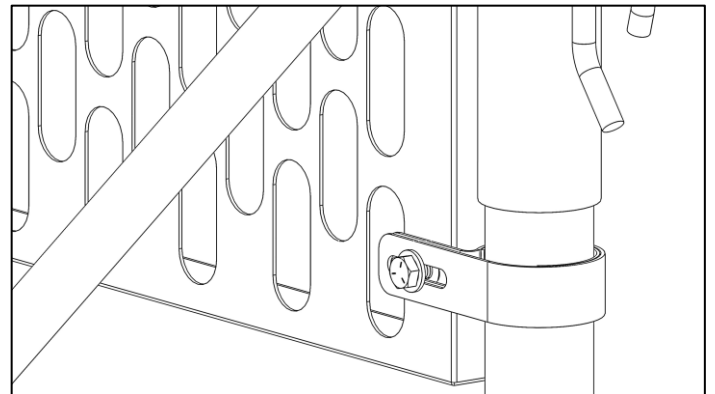
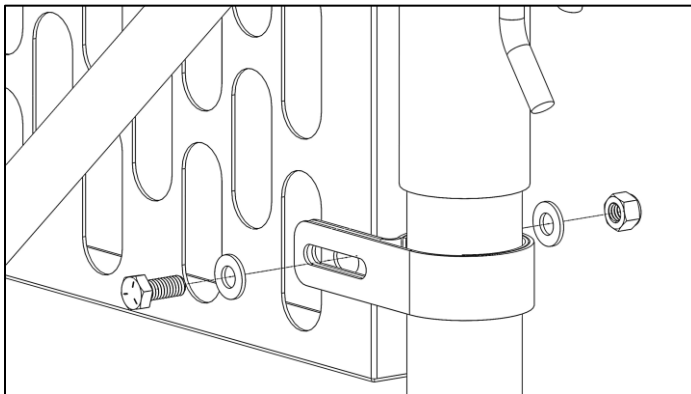


## **Step 2 – Lower Tube Clamps**

- Dry wipe clean inside diameter of remaining two 2" tube clamps.
- Remove plastic backing from cork tape strips.
- Install cork tape strips onto inside diameter of each lower tube clamp.



- Place tube clamps around the bottom of each of the front legs of rack with flat end of flange towards the rear of vehicle.
- Using a 5/16" x 3/4" hex bolt, two 5/16" flat washers, and a 5/16" lock nut, bolt through the tube clamp, and then the window guard.
- Repeat for opposite side.
- TIGHTEN hardware.



**GO BACK AND TIGHTEN ALL HARDWARE.**

**INSTALLATION IS COMPLETE.**