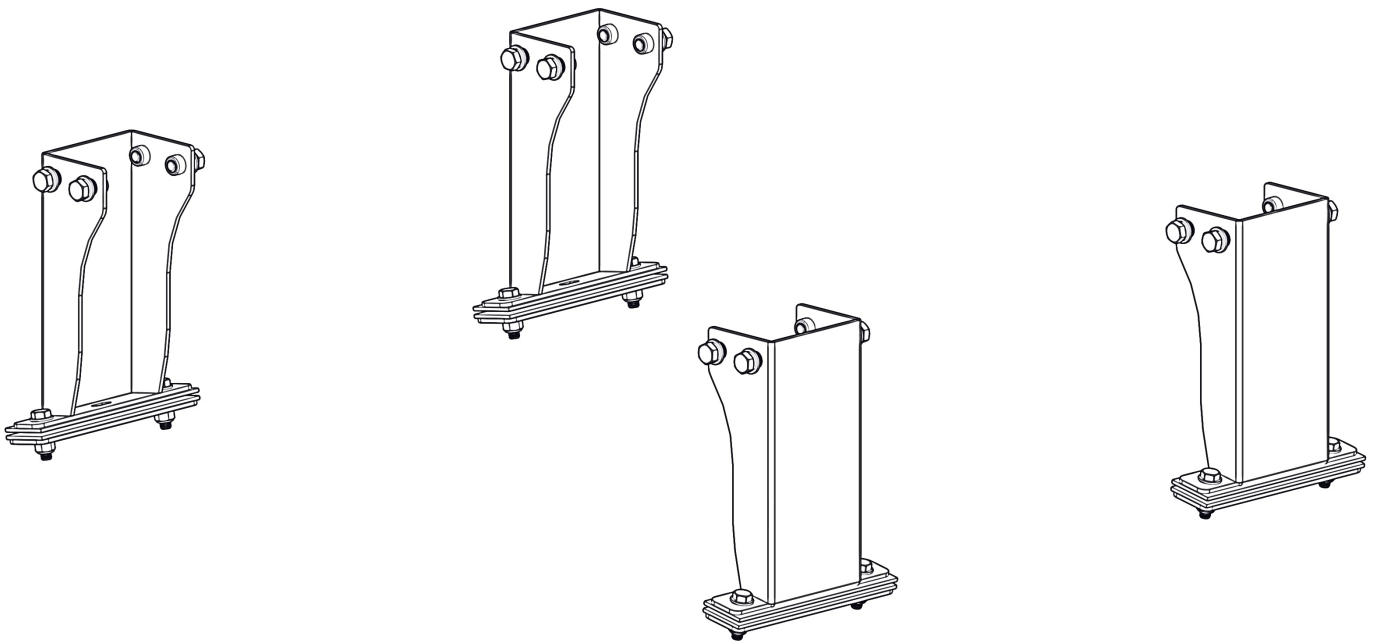

Holman

Instruction Guide 4A959



Holman
Rancho Cordova, CA 95742
800-343-7486
InstallationSupport@holman.com

PLEASE READ ALL INSTRUCTIONS AND WARNINGS PRIOR TO ASSEMBLING, INSTALLING, AND USING THIS PRODUCT

Warning



Always check for wires, fuel tanks and lines, brake lines and other important vehicle functionality items prior to drilling and installing all products.

Tools Needed

1/2", 9/16" Sockets and Wrench	1/2" Box Wrench
--------------------------------	-----------------

Table of Contents

Parts.....2

Hardware2

Step 1 – Determine Distance Between Feet3

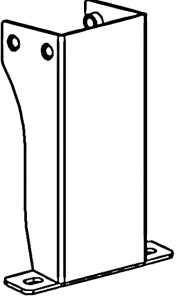

Step 2 – Mount Feet to Bow3

Step 3 – Install Rack4

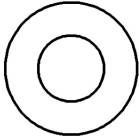
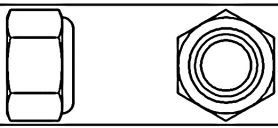
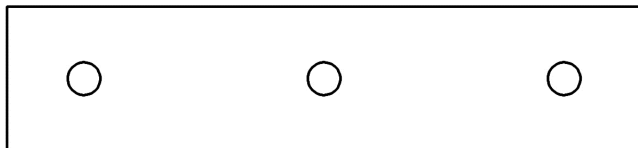
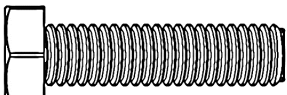
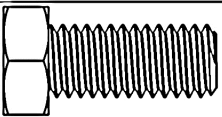
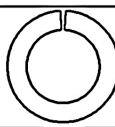
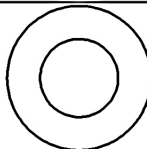
Before You Begin

- Read all instructions prior to assembling or installing any Kargo Master product.
- Be sure to put sealant around all hardware entering cargo area and between the rubber spacer and roof of vehicle to prevent water from leaking into cargo area.
- **DO NOT EXCEED MANUFACTURERS WEIGHT CAPACITY FOR ROOF.**

Parts

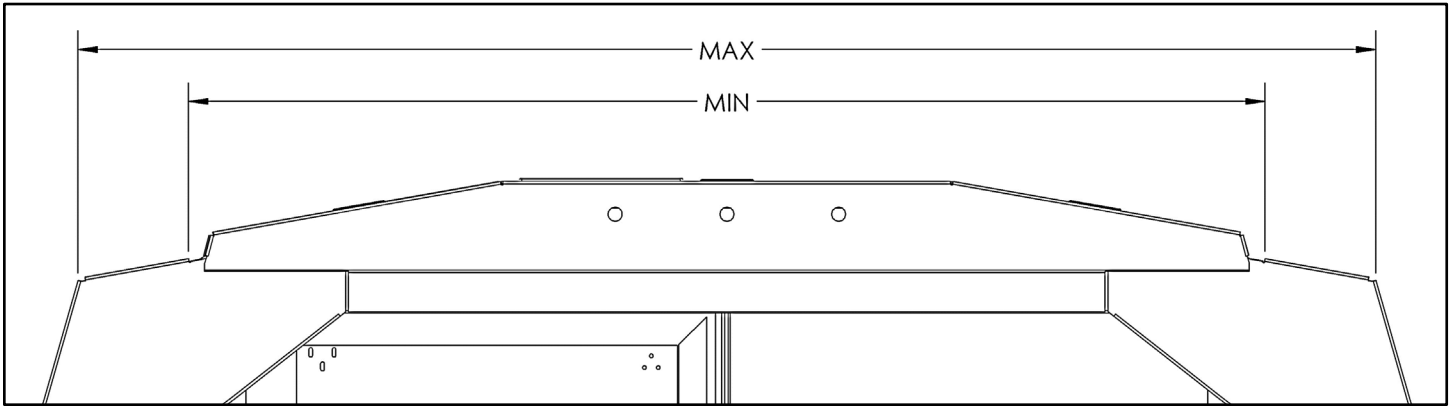
NO.	ITEM	PART NUMBER	DESCRIPTION	QTY.
1		4A959-10	FOOT	4
2		4A959-00-002	BACKING PLATE	4
3		18-4A959	HARDWARE KIT	1

Hardware

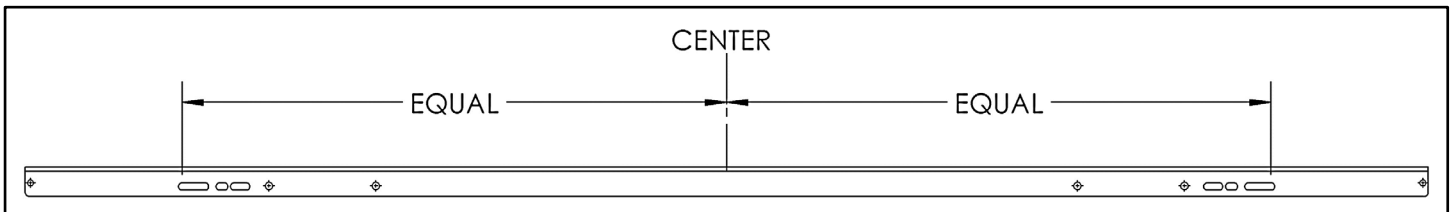
ITEM	HARDWARE TO SCALE	PART NUMBER	DESCRIPTION	QTY.
1		33080	5/16" WASHER	16
2		70861	5/16"-18 NYLOC	8
3		-	RUBBER PAD- 6.6X1.5	8
4		11241180	5/16-18 X 1-1/4" HEX HEAD BOLT	8
5		11106161	3/8-16 X 7/8" HEX HEAD BOLT	16
6		0123496	3/8" SPLIT LOCK WASHER	16
7		0174733	3/8" STEEL FLAT WASHER	16
8		BH-821	ADHESIVE SEALANT	1

Step 1 – Determine Distance Between Feet

- Measure the desired mounting locations on the covered service body.

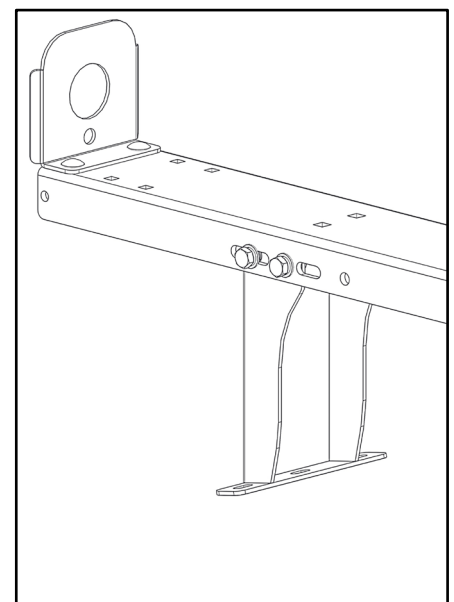
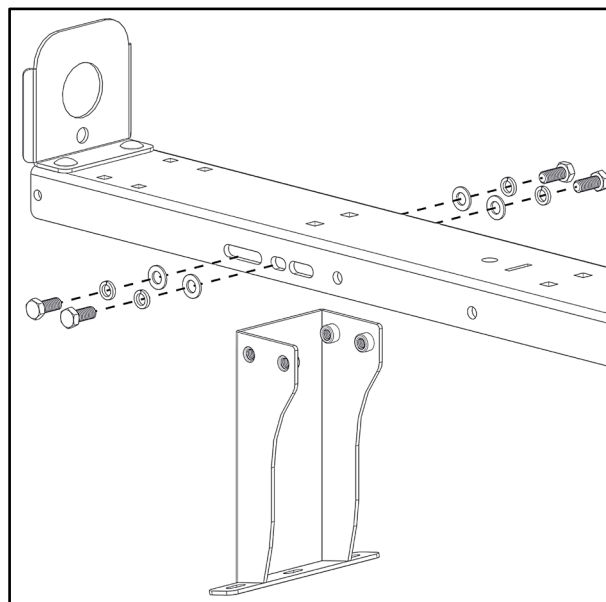


- Determine the best mounting width. Locate the corresponding slots on the ladder rack bow. **Be sure to use the same slot at each end of the ladder rack bow.**



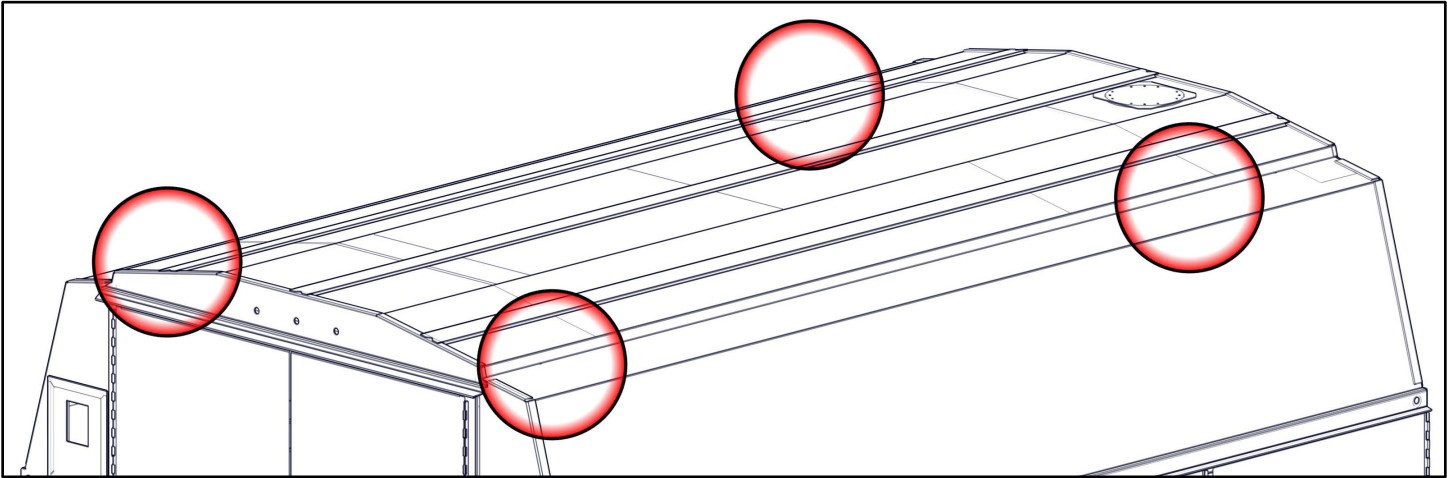
Step 2 – Mount Feet to Bow

- Using the correct slots that were determined in the previous step, place the foot on the underside of the bow in the orientation shown
- Attach using 3/8" x 7/8" hex head bolts, 3/8" split lock washers and 3/8" flat washers. Be sure the foot is in the correct orientation so that the angle on the bottom of the foot fits the angle of the covered service body.
- Repeat at all four locations.
- Snug tighten, but allow movement.

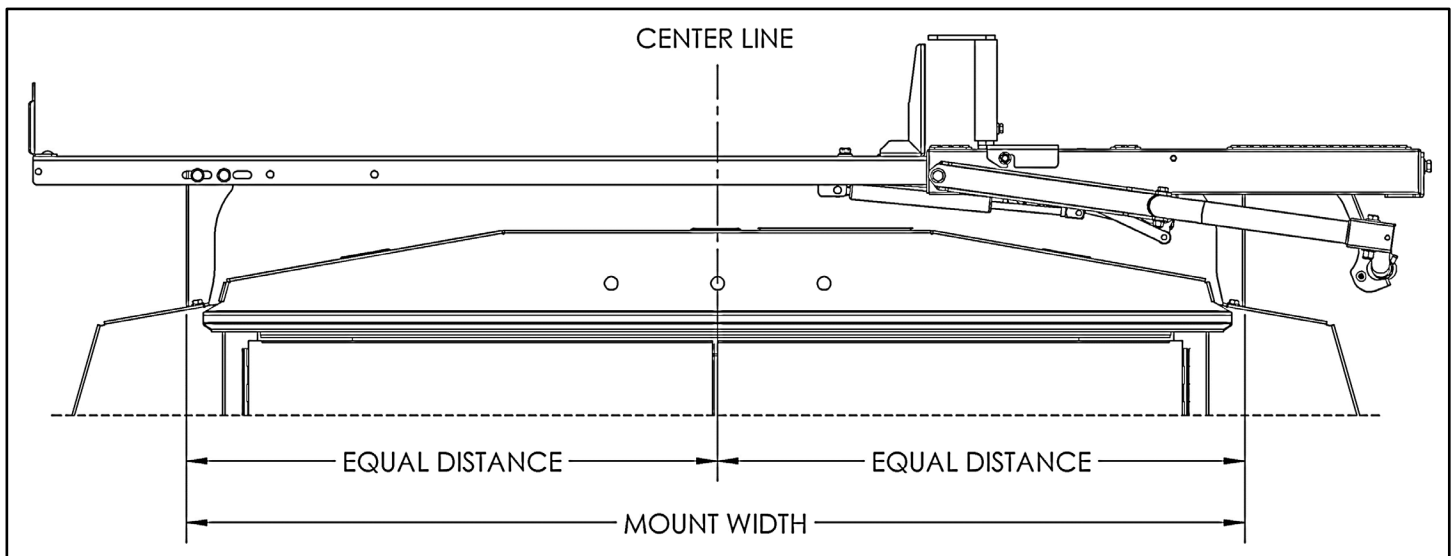


Step 3 – Install Rack

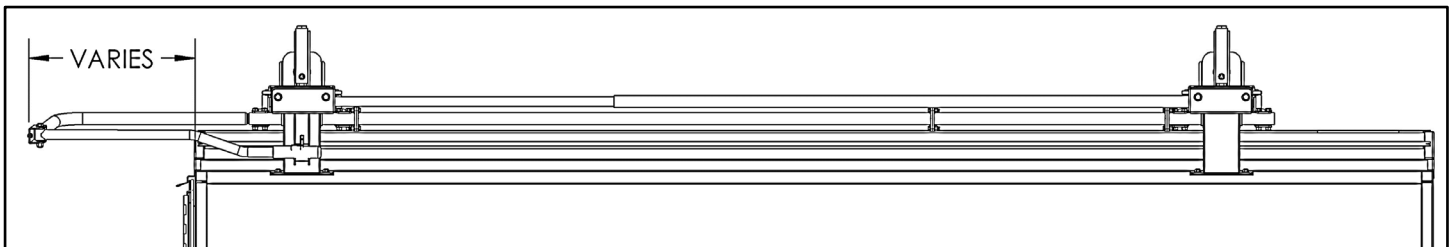
- Place ladder rack with feet on top of the covered service body.



- Be sure the rack is centered on top of the covered service body.



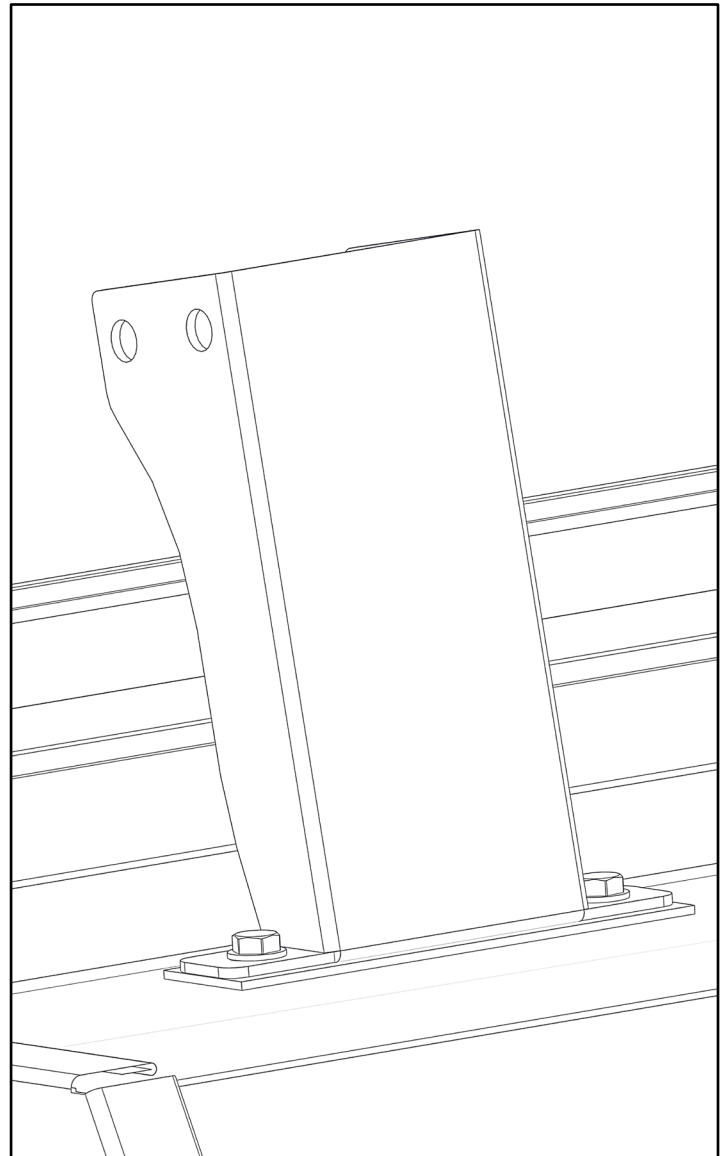
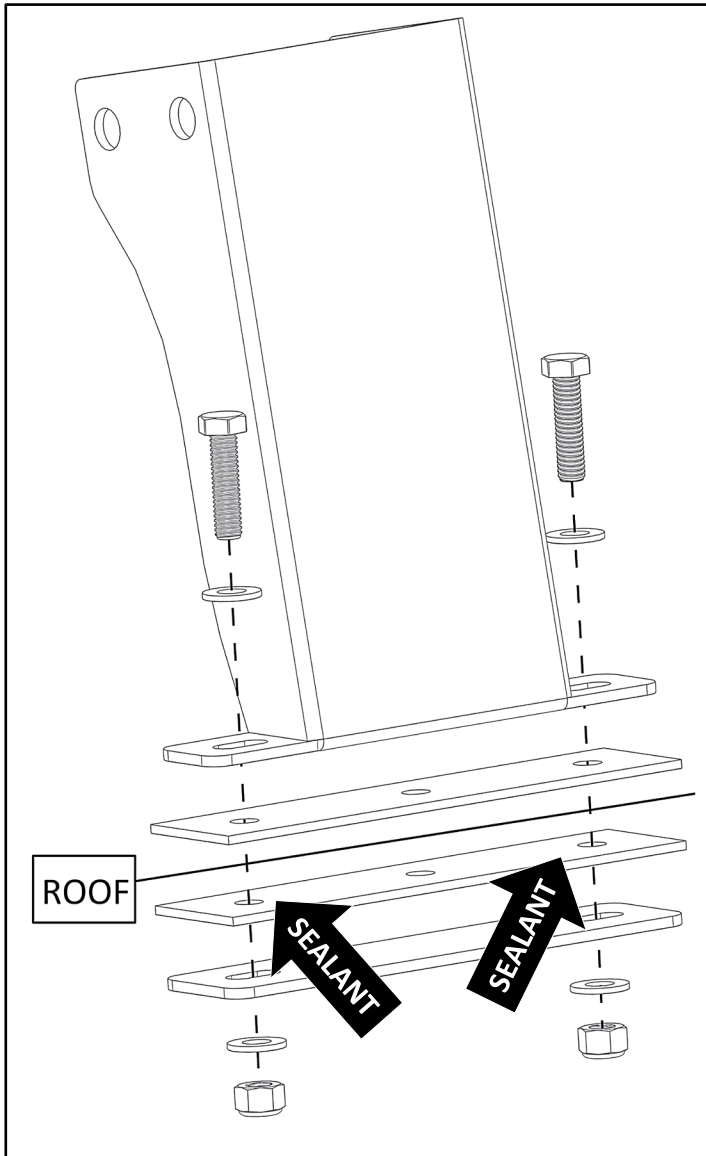
- Ensure the rear of the rack is far enough off the rear of the vehicle that when placing a ladder on the rack, the ladder does not hit the vehicle.



ENSURE THIS IS THE LOCATON THE RACK IS DESIRED.

- Mark through all four feet onto the top of the covered service body.
- **ENSURE SAFETY PRIOR TO DRILLING.**

- Remove the assembled rack with the feet and drill at all eight marked locations using a 11/32" drill. **Be sure area below marked location is safe to drill.**
- Replace the rack on top of the covered service body.
- Place sealant around the holes in the covered service body.
- The metal body goes in between two rubber pads.
- Bolt into place using 5/16" x 1-1/4" hex heads, 5/16" flat washers, and rubber pads ON TOP OF ROOF; and rubber pads, metal plates, 5/16" flat washers and 5/16" lock nuts INSIDE ROOF.
- Tighten.



GO BACK AND ENSURE ALL HARDWARE IS TIGHT.

INSTALLATION IS NOW COMPLETE.

