

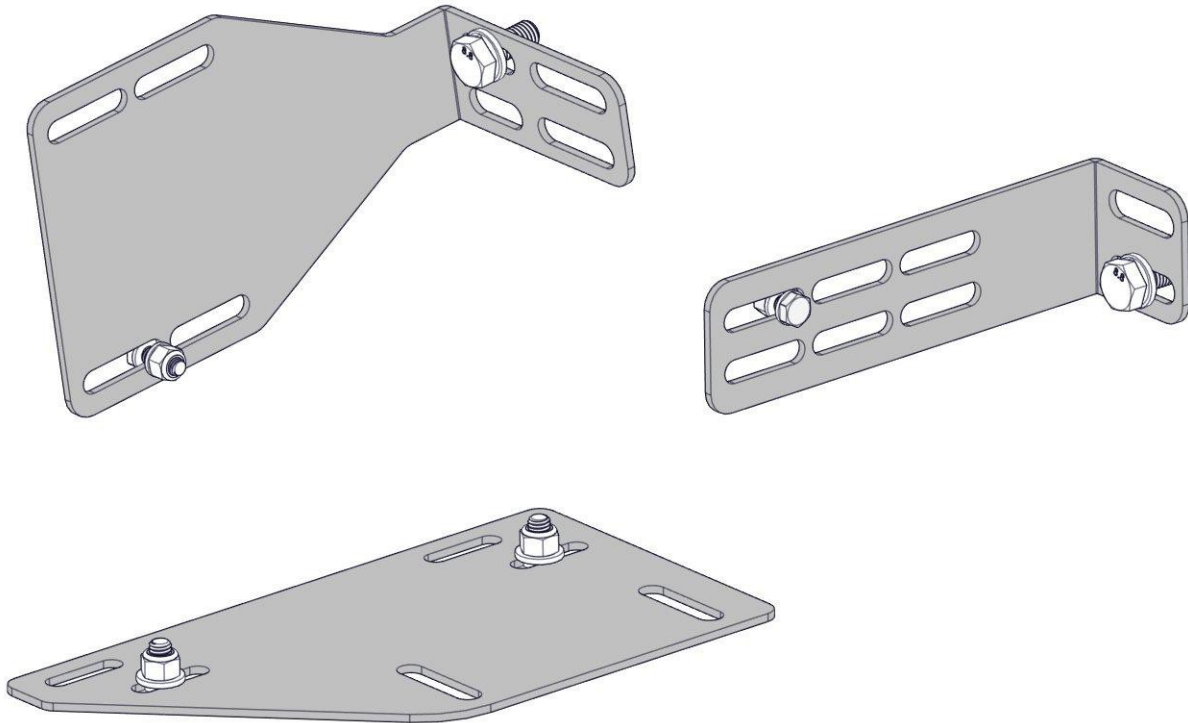
---

# Holman

---

## Instruction Guide 48301TC

---



---

Holman  
Rancho Cordova, CA 95742  
800-343-7486  
InstallationSupport@Holman.com

---

\*PLEASE READ ALL INSTRUCTIONS AND WARNINGS PRIOR TO ASSEMBLING,  
INSTALLING, AND USING THIS PRODUCT\*

## Warning



Always check for wires, fuel tanks and lines, brake lines and other important vehicle functionality items prior to drilling and installing all products.

## Tools Needed

1/2" Socket and Wrench	7/16" Socket and Wrench
17mm Socket and Wrench	

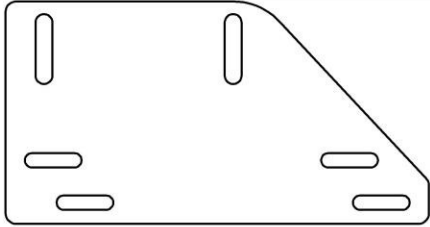
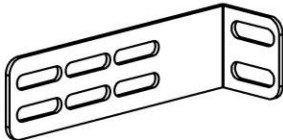
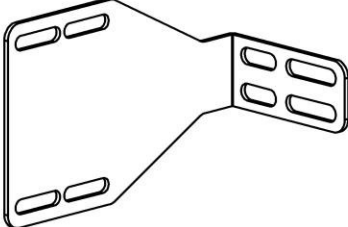
## Table of Contents

Parts List .....	3
Hardware .....	4
Step 1 – Locate Rear Mount Locations .....	5
Step 2 – Mount Small Wall Mount.....	6
Step 3 – Mount Large Wall Mount.....	7
Step 4 – Mount Base Plate .....	8-9
Step 5 – Mount Shelf to Base Plate.....	10
Step 6 – Mount Shelf to Wall Mounts.....	11
Step 7 – Tighten.....	12

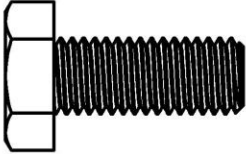
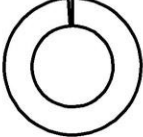
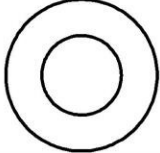
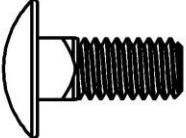
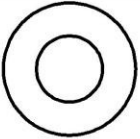

## Before You Begin

- Read all instructions. These instructions provide NO DRILL mounting for a 32" wide shelf unit.
- These instructions show the shelf unit being installed on the passenger side of vehicle. The driver side installation is the mirror of these instructions.
- LIFT, DO NOT DRAG SHELVING UNITS INTO PLACE.

## Parts

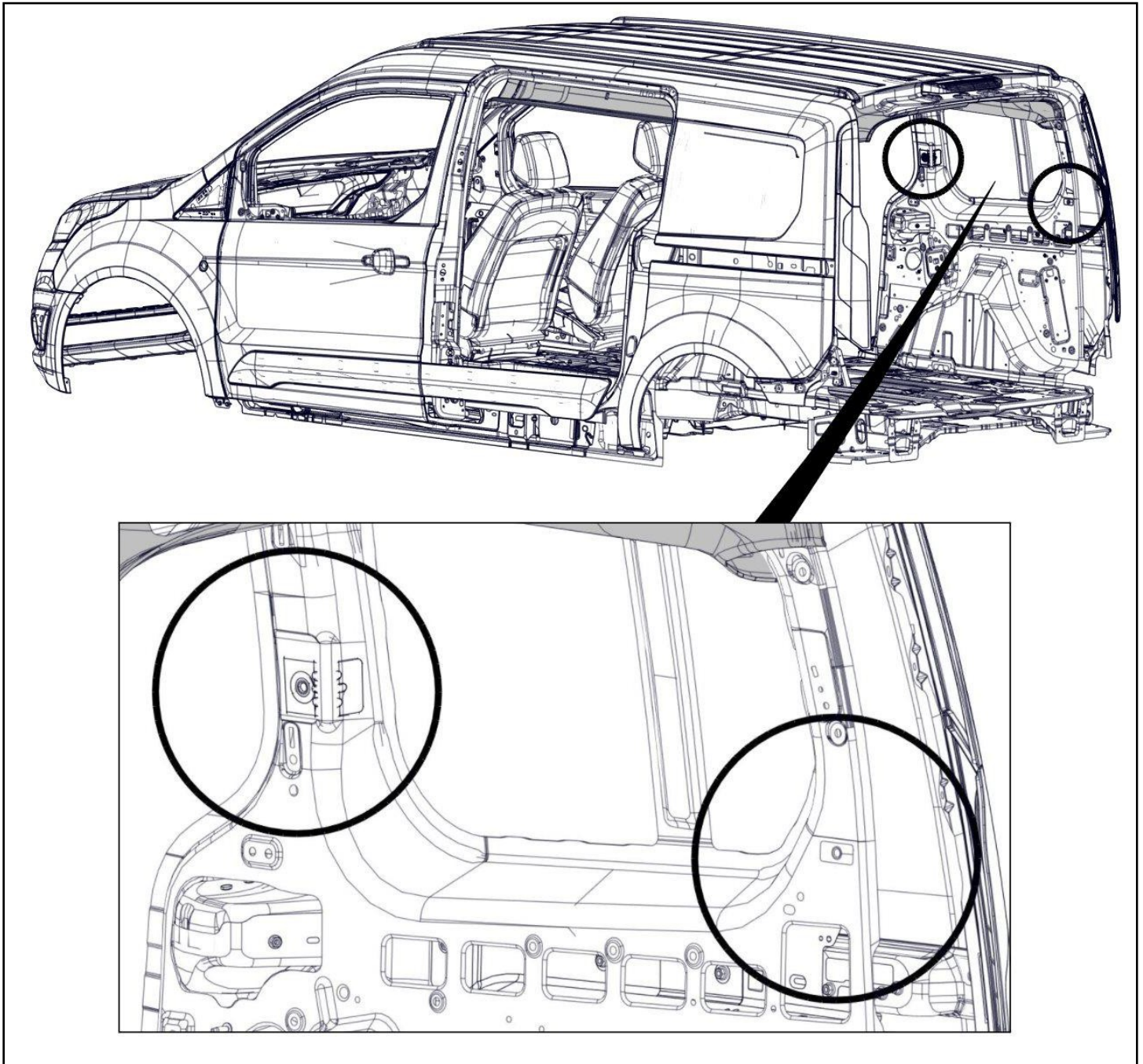
ITEM NO.		PART NUMBER	DESCRIPTION	QTY.
A		4016L-43-001	BASE PLATE	1
B		4016L-43-002	SMALL WALL MOUNT	1
C		4016L-43-003	LARGE WALL MOUNT	1
		18-48301TC	HARDWARE	1

## Hardware

ITEM NO.	TO SCALE	PART NUMBER	DESCRIPTION	QTY.
1		91280A630	M10 x 1.5 x 25mm HH	2
2		91202A242	M10 Split Lock Washer	2
3		91166A280	M10 Flat Washer	2
4		90185A581	5/16"-18 x 3/4" Carriage Bolt	2
5		90126A030	5/16" Flat Washer	2
6		95615A160	5/16"-18 Nyloc	2

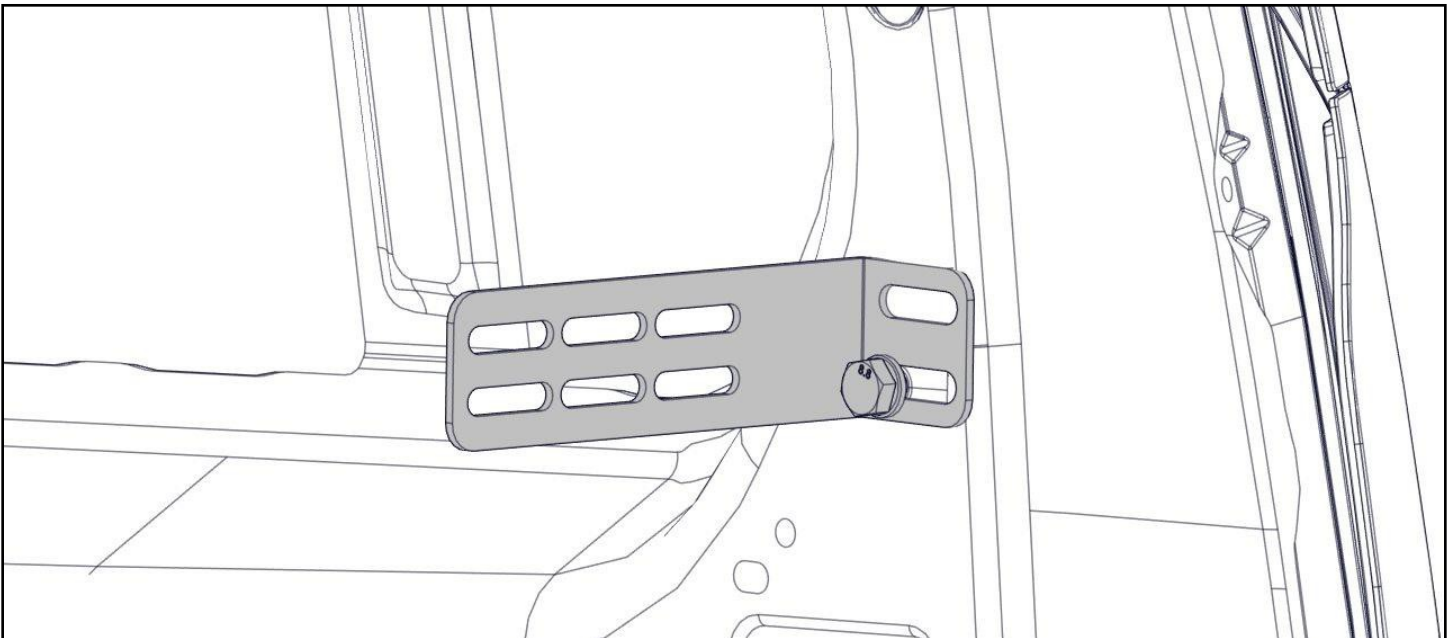
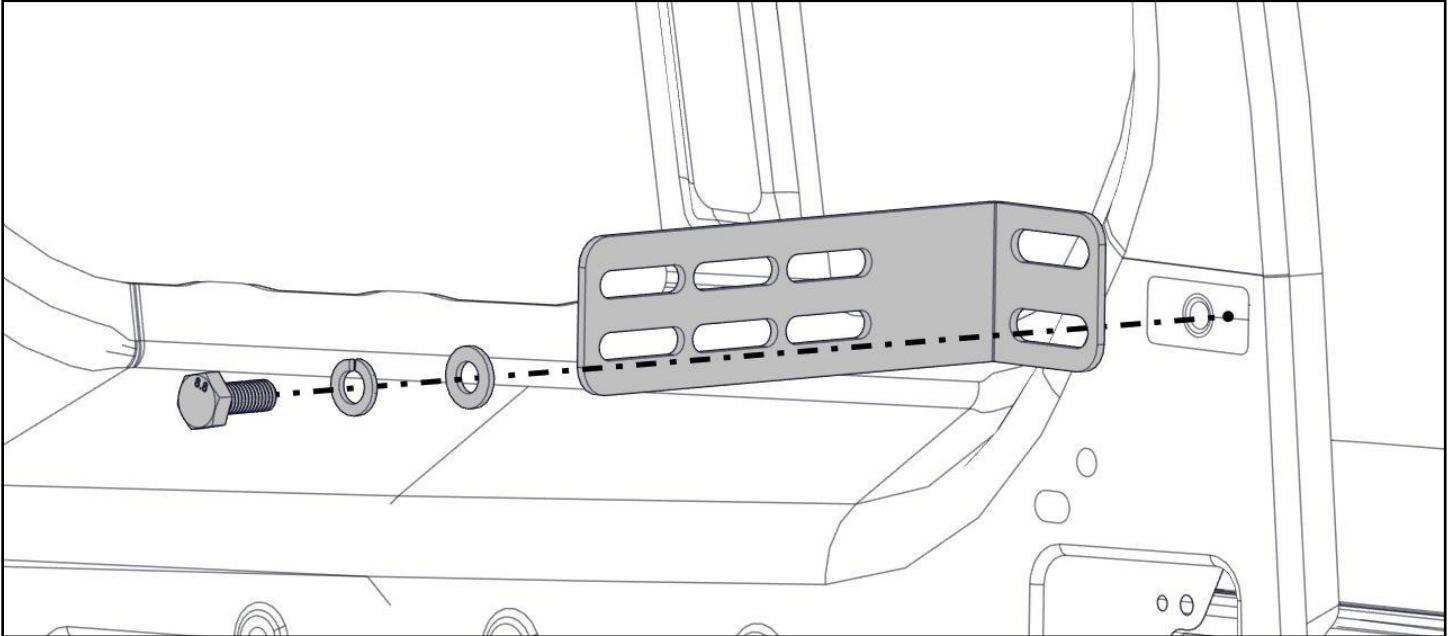
## Step 1 – Locate Rear Mount Locations

- Find the threaded embosses at the rear of the slider door as shown below.



## Step 2 – Mount Small Wall Mount

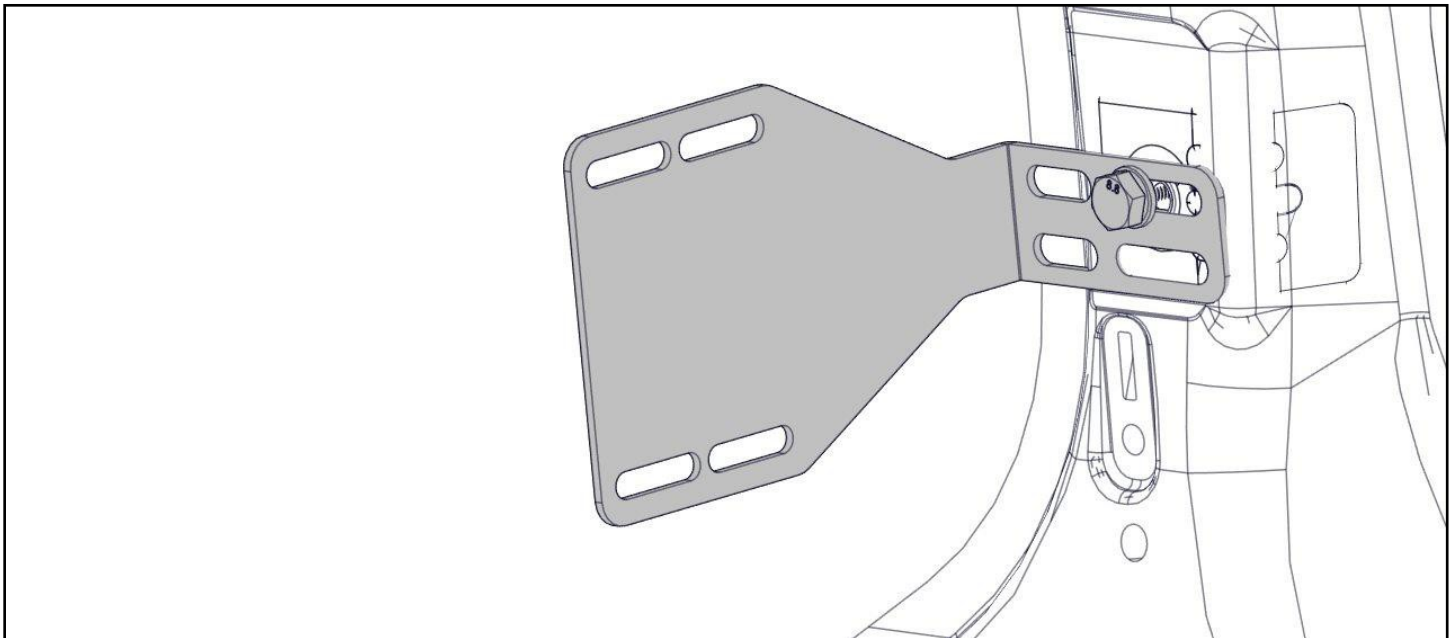
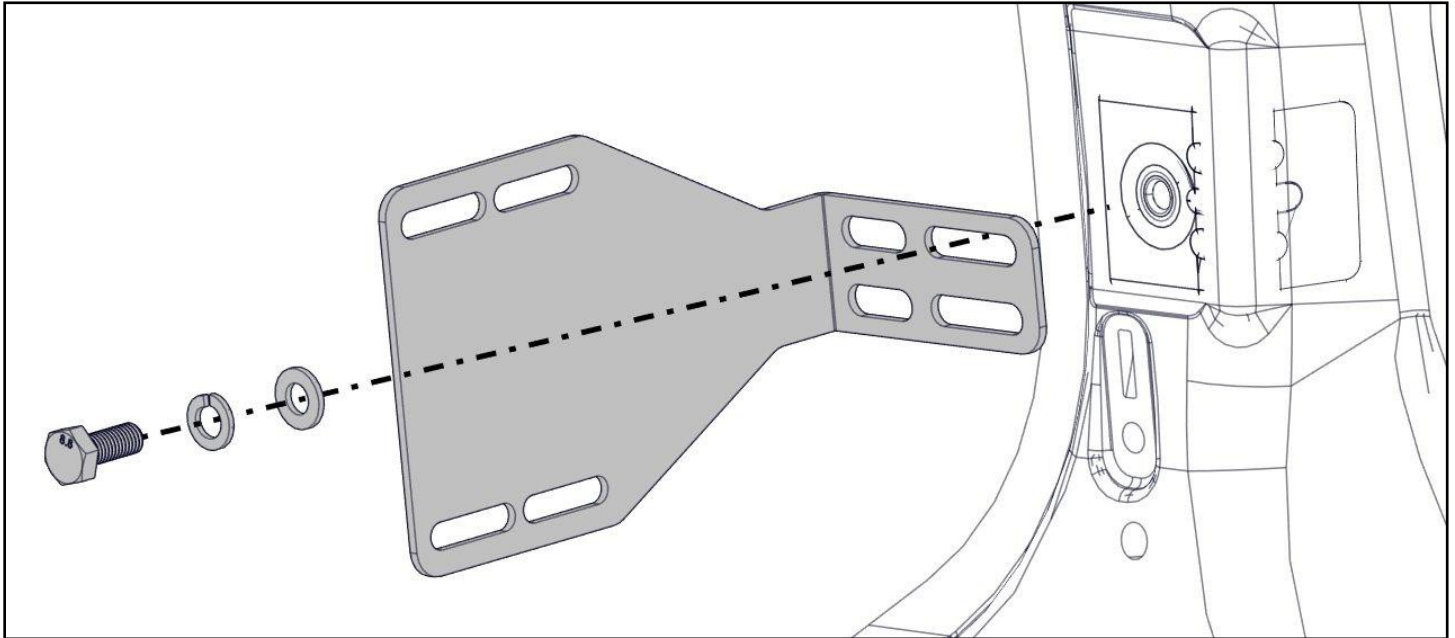
- Mount the small wall mount at the threaded emboss near the rear doors.
- Bolt through the slot shown on the small wall mount using a M10 x 25mm hex head, M10 lock washer and a M10 flat washer.
- Snug tighten, but allow movement.





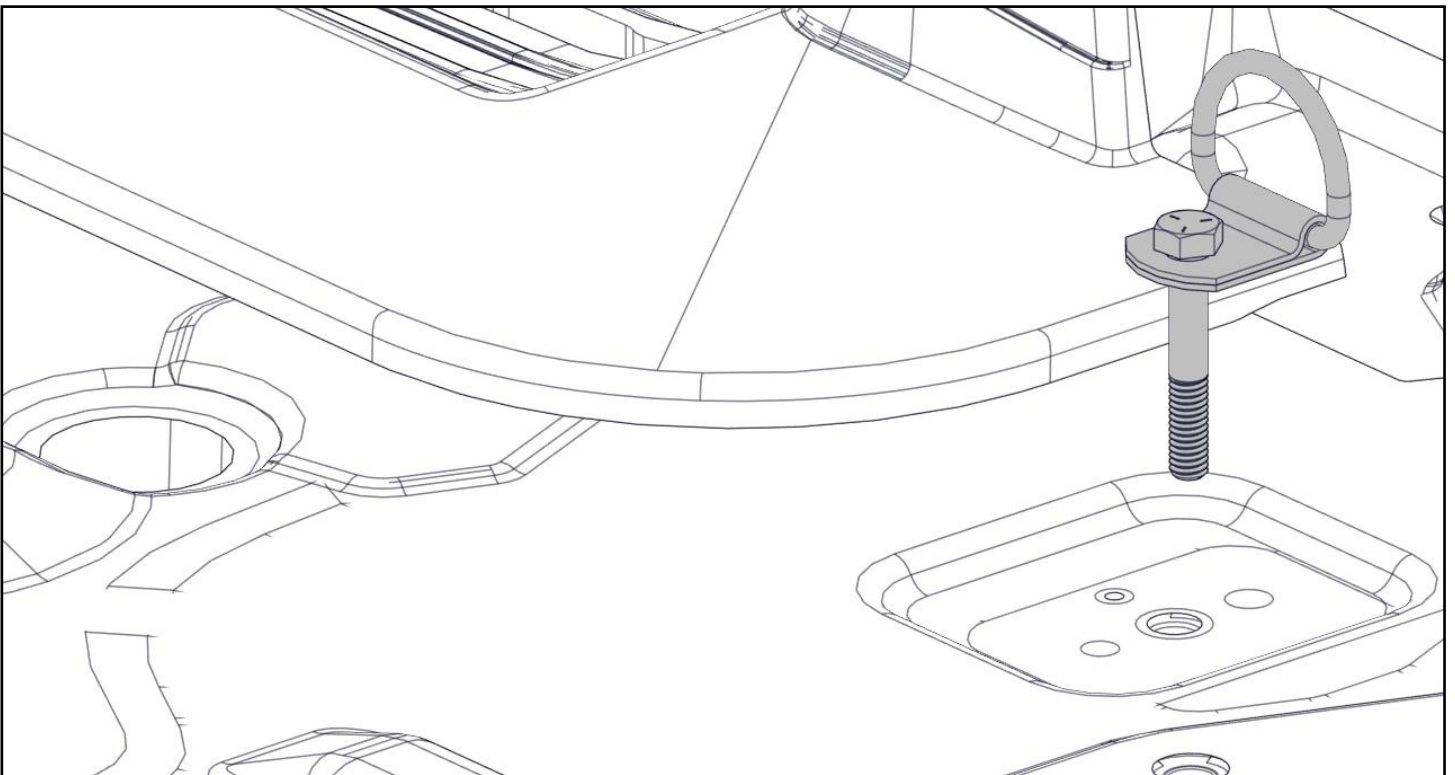
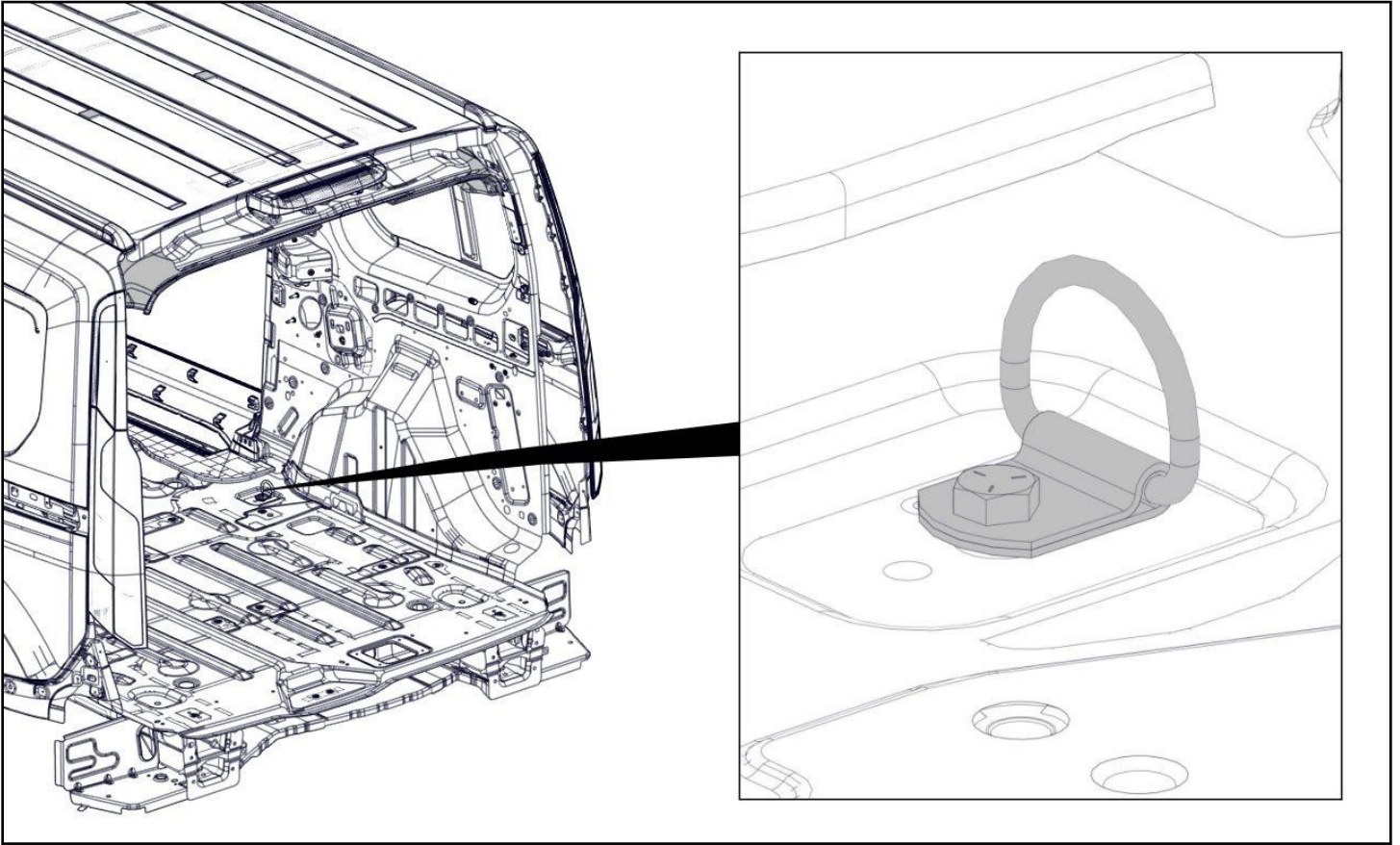
## Step 3 – Mount Large Wall Mount

- Mount the large wall mount to the threaded emboss directly behind the slider door.
- Bolt through the slot shown on the large wall mount using a M10 x 25mm hex head, M10 lock washer and a M10 flat washer.
- Snug tighten, but allow movement.



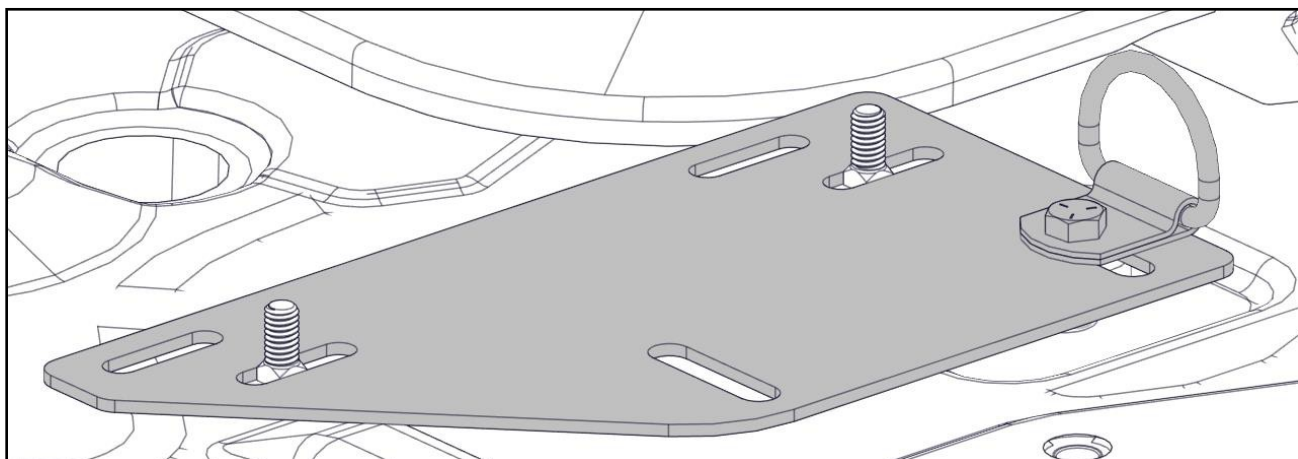
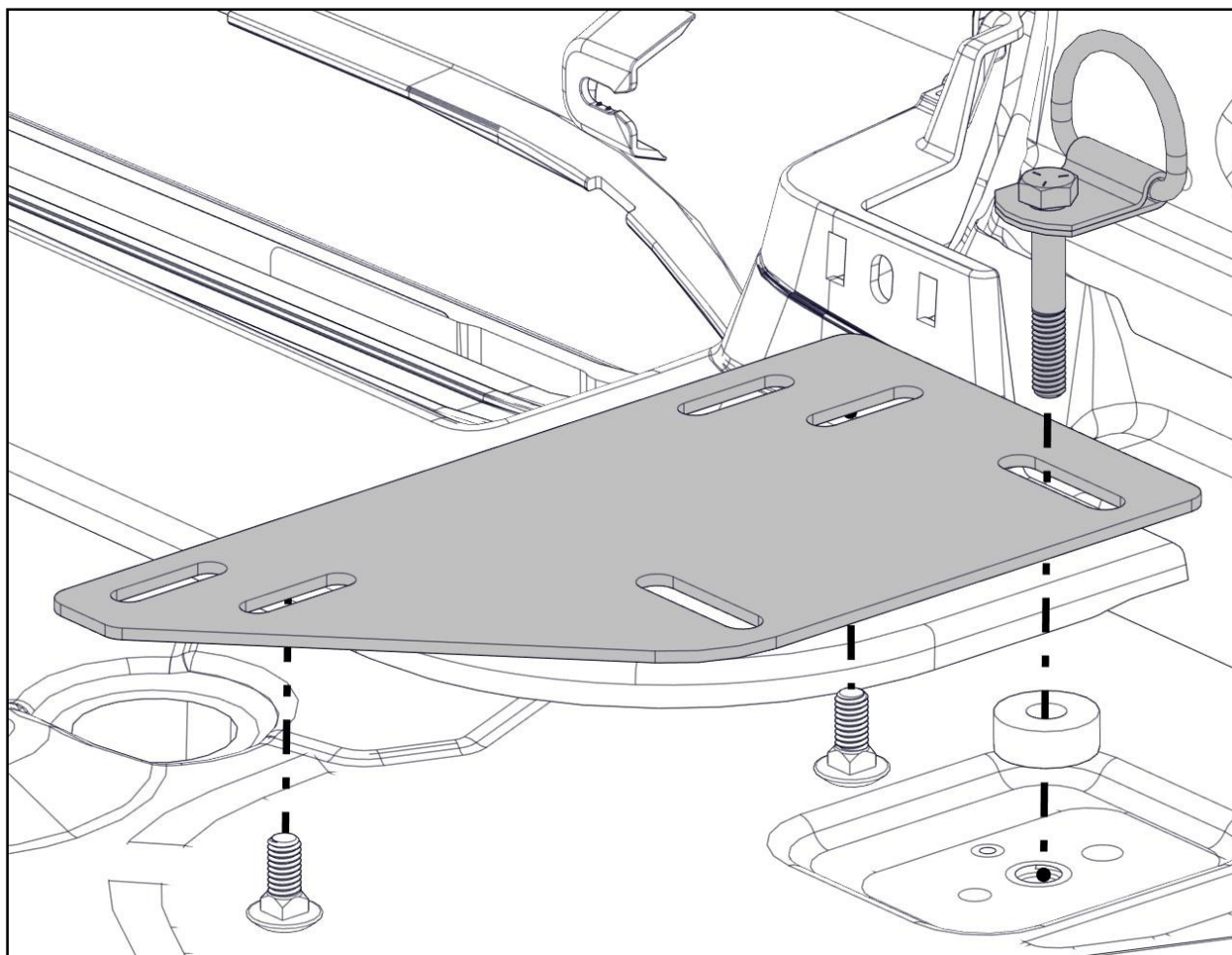
## Step 4 – Mount Base Plate

- Locate the “D-Ring” at the rear of the slider door opening as shown below and remove.





- Place the base plate over the threaded emboss where the “D-Ring” was previously removed in the orientation shown. Use the slot on the base plate as shown.
- Place the nylon spacer from the shelf mount kit under the base plate and in line with the threaded emboss.
- Place 5/16” carriage bolts facing upwards in the slots shown below.
- Bolt the “D-Ring” in the original location while using the base plate and the nylon spacer.
- Snug tighten, but allow movement.

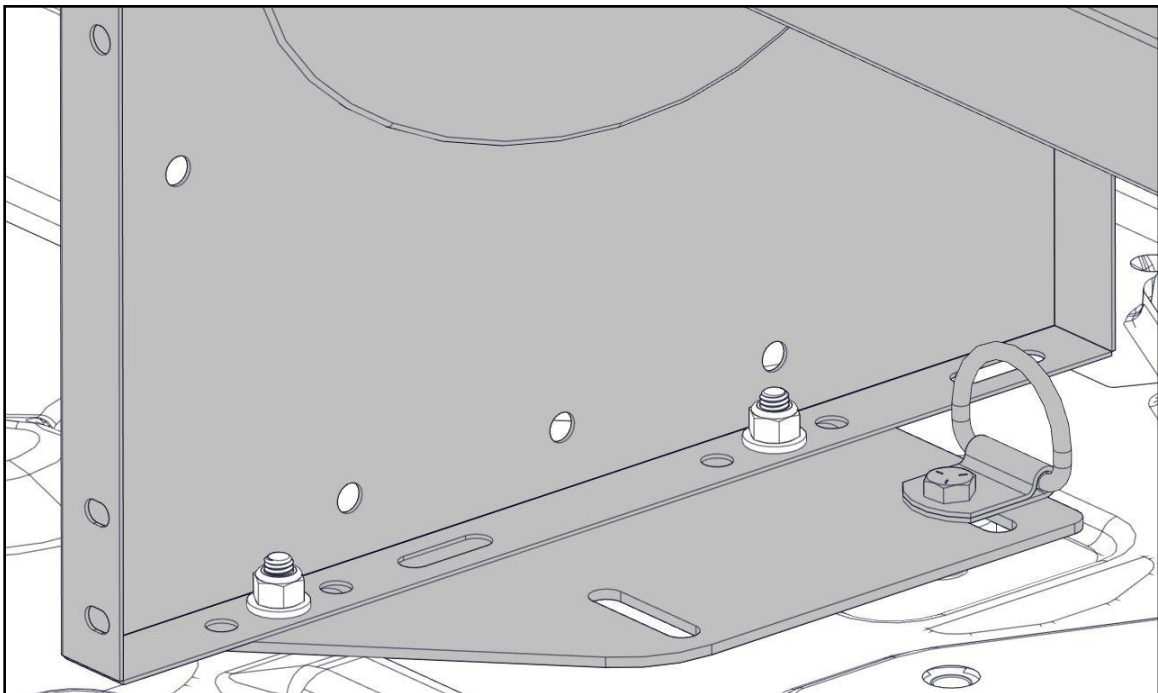
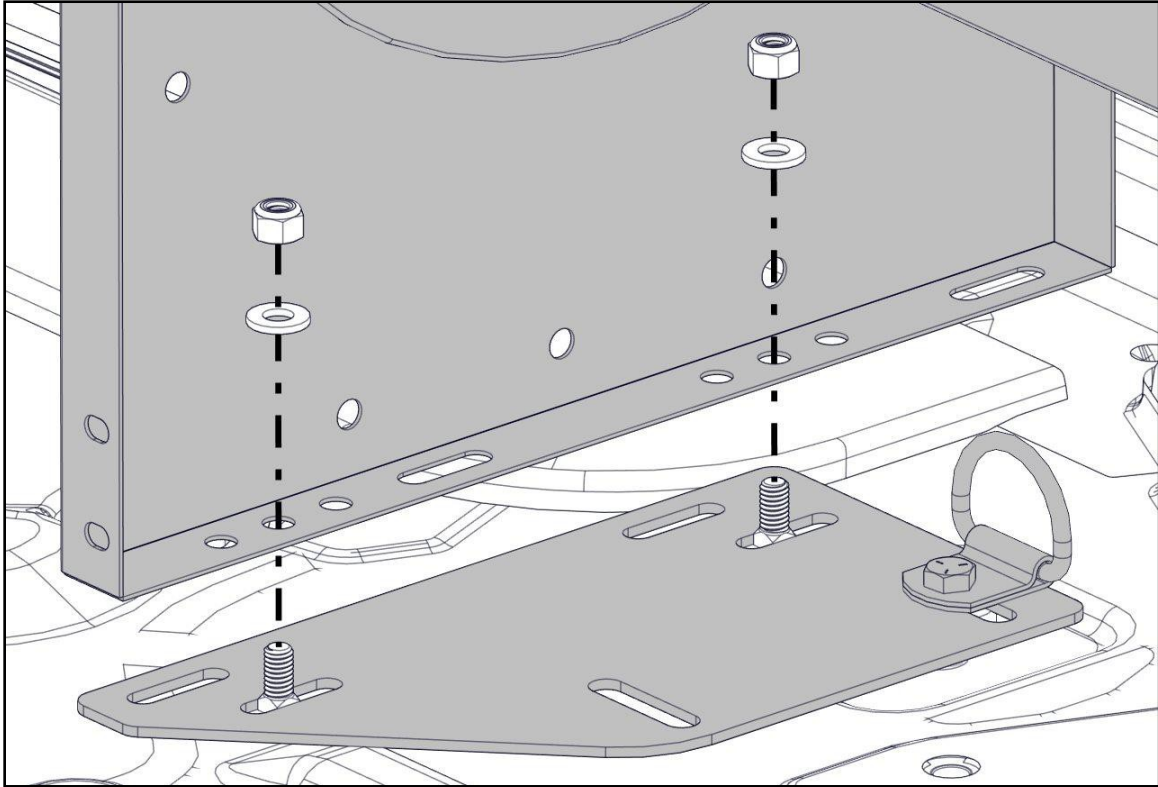


## Step 5 – Mount Shelf to Base Plate

- Place shelf on top of the carriage bolts protruding through the base plate.

Note: be sure the top of the shelf is in between the two previously installed wall mounts

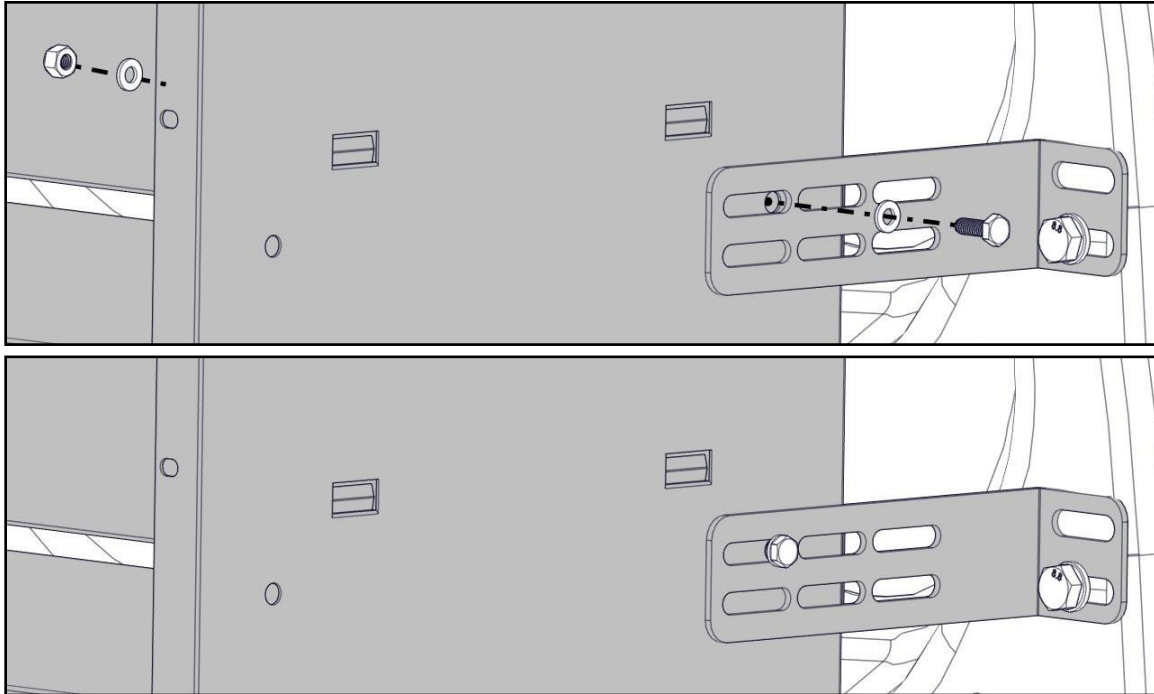
- Attach the bottom of the shelf side to the top of the base plate using the previously installed carriage bolts, two 5/16" flat washers and two 5/16" nyloc nuts.
- Snug tighten, but allow movement.



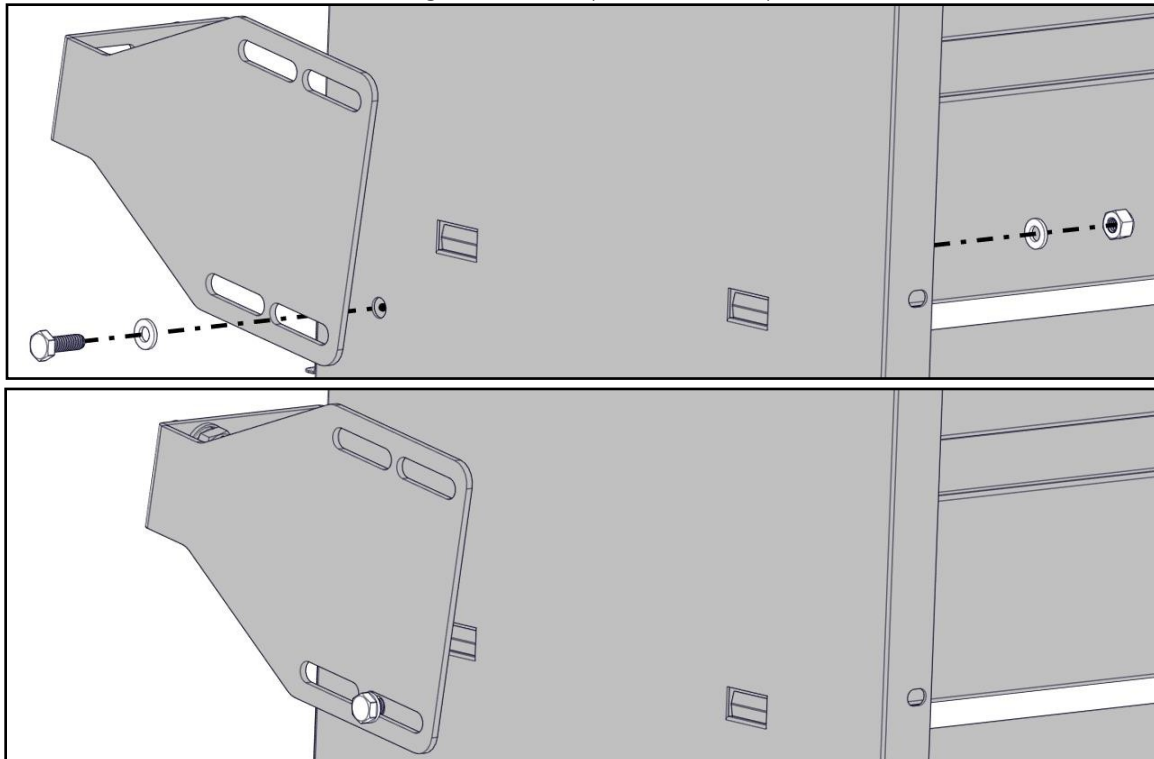
## Step 6 – Mount Shelf to Wall Mounts

- Attach the shelf to both wall mounts using the hardware from the shelf mount kit. Use 1/4" x 3/4" hex head bolts, 1/4" flat washers and 1/4" nyloc nuts in the order shown. Use the closest corresponding hole in the shelf to mount, some adjustment may be needed.
- Snug tighten, but allow movement.

Small Wall Mount (rear of van)



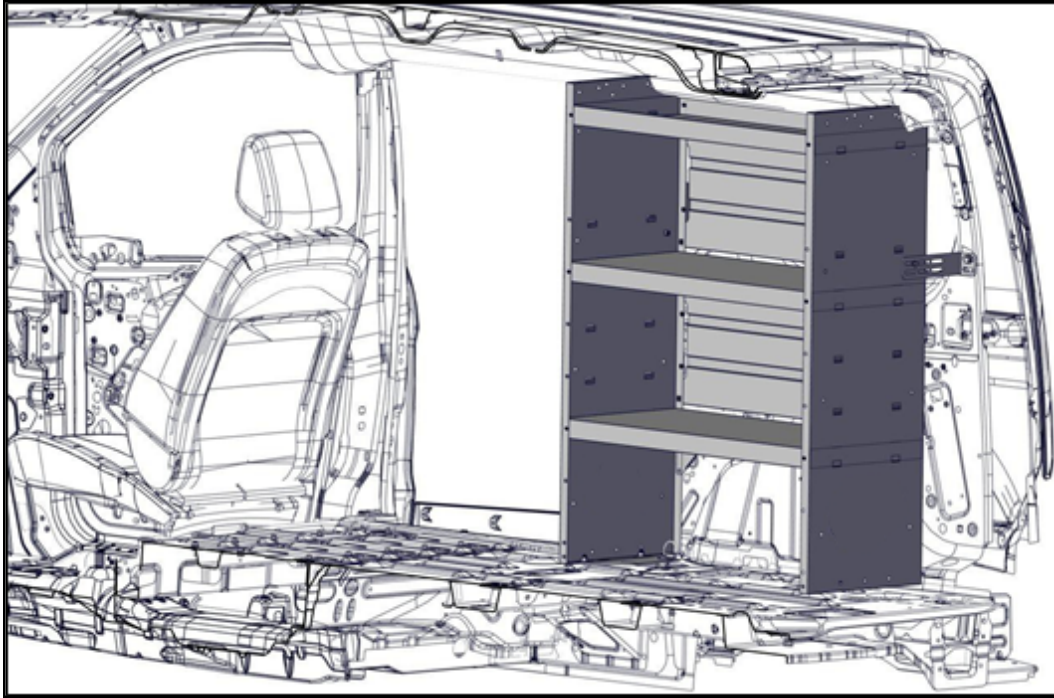
Large Wall Mount (near slider door)





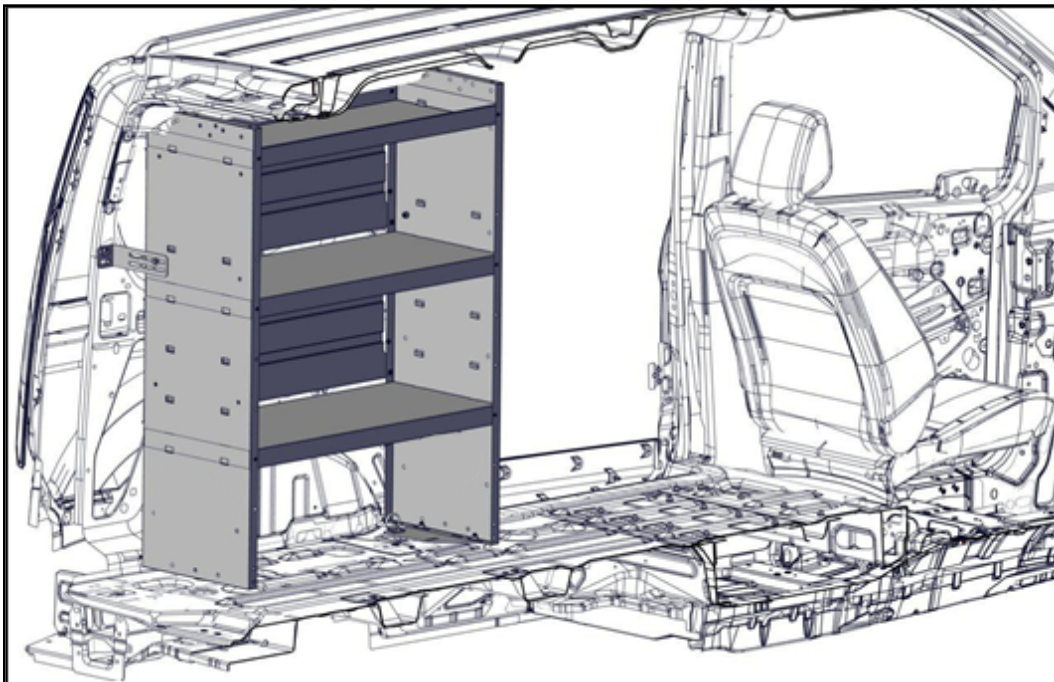
## Step 7 – Square and Tighten

- Align and square the shelf unit to your liking.
- Tighten ALL hardware starting from the top and working downwards.



Passenger side mounting

Shelf can be mounted on the drivers' side of vehicle as well. The instructions are the same, but mirrored. Be sure the floor mount is used on forward side of shelf unit.



Driver side mounting

INSTALLATION IS NOW COMPLETE