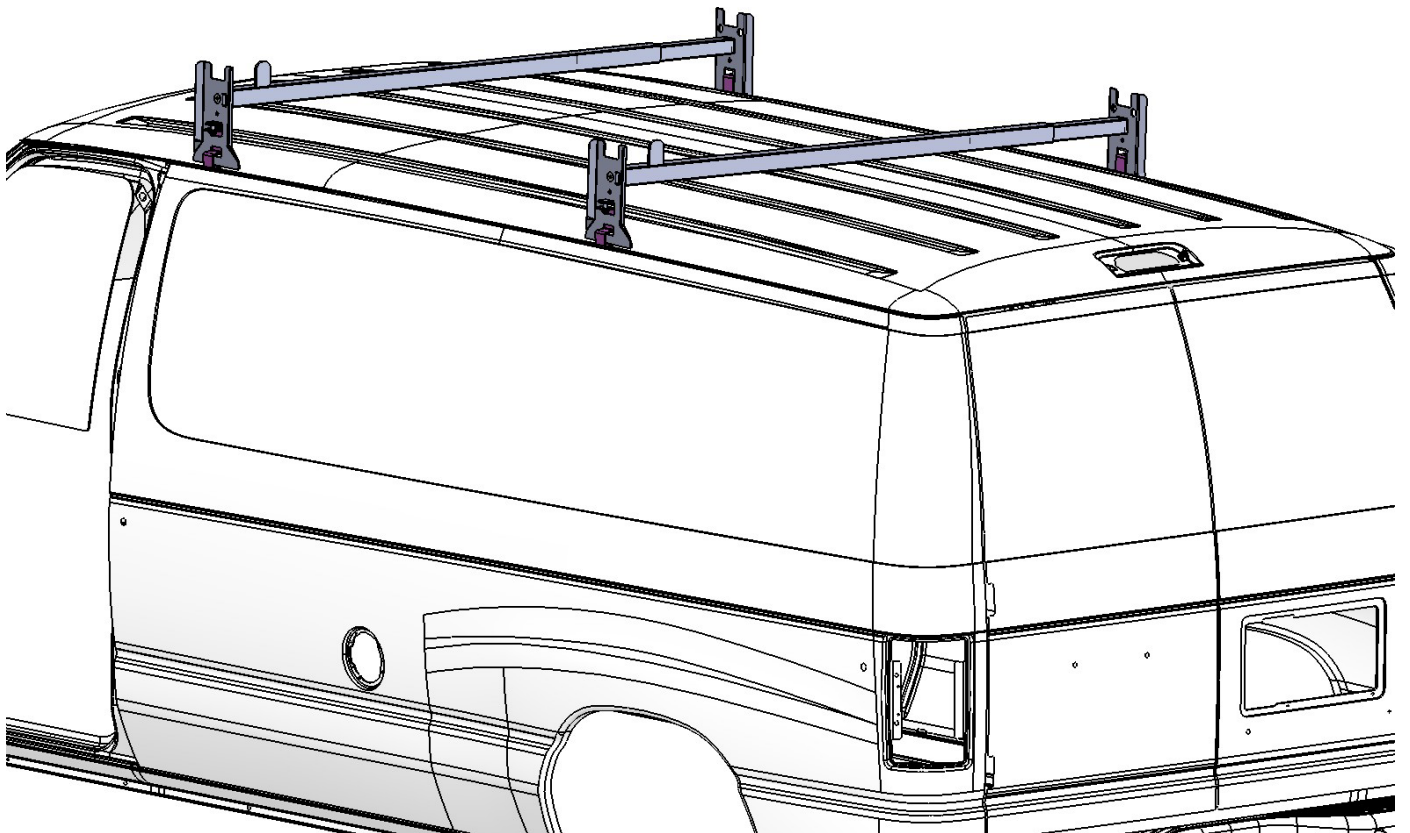


Holman

Holman
Rancho Cordova, CA 95742
800-343-7486
InstallationSupport@Holman.com

Assembly Instructions For:

40820/40823
VAN 2 BAR LADDER RACK

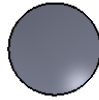


Hardware

(c)
5/16"
Flat Washer
4 each



(d)
5/16" x 1 1/4"
Carriage Bolt
4 each



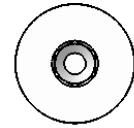
(e)
3/8" x 3/8"
Set Screw
2 each



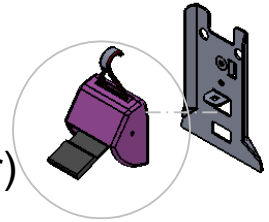
(f)
5/16"
Nylock Hex Nut
4 each



(g)
1/2" x 1"
Flat Head Allen Bolt
4 each



Optional: **40850**
Ratchet Strap
Sold Separately
Kit Consists of (2 Per)



40820

Van 2 Bar Ladder Rack

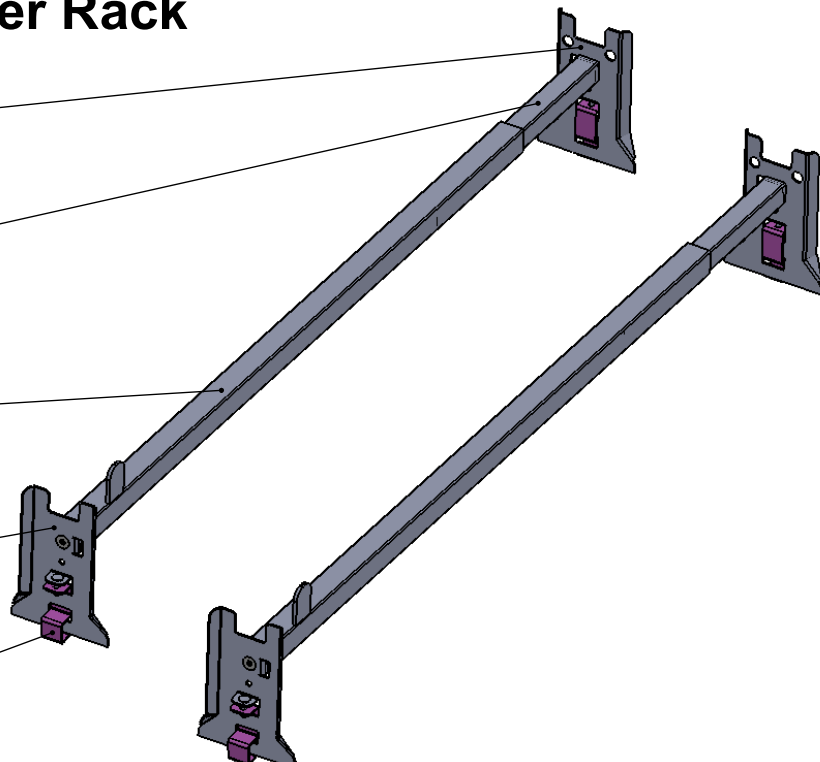
Qty

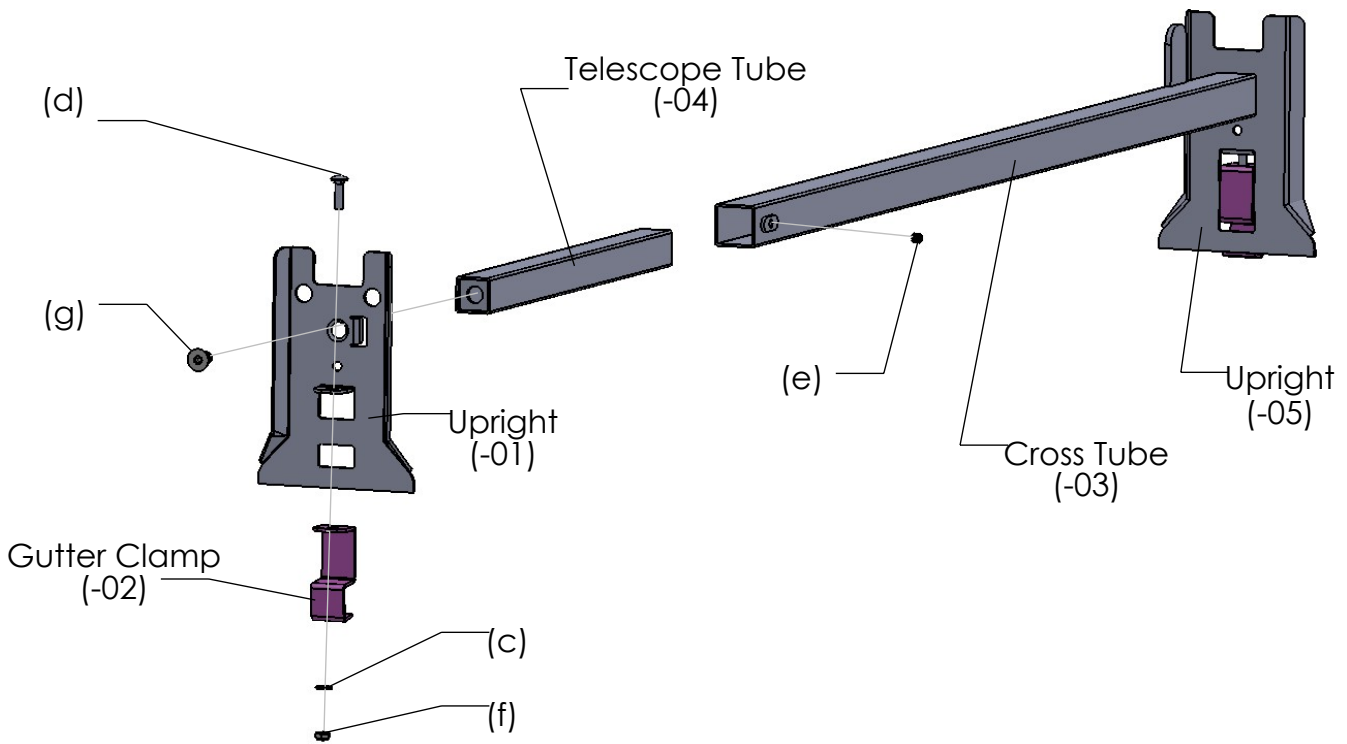
Qty

Qty

Qty

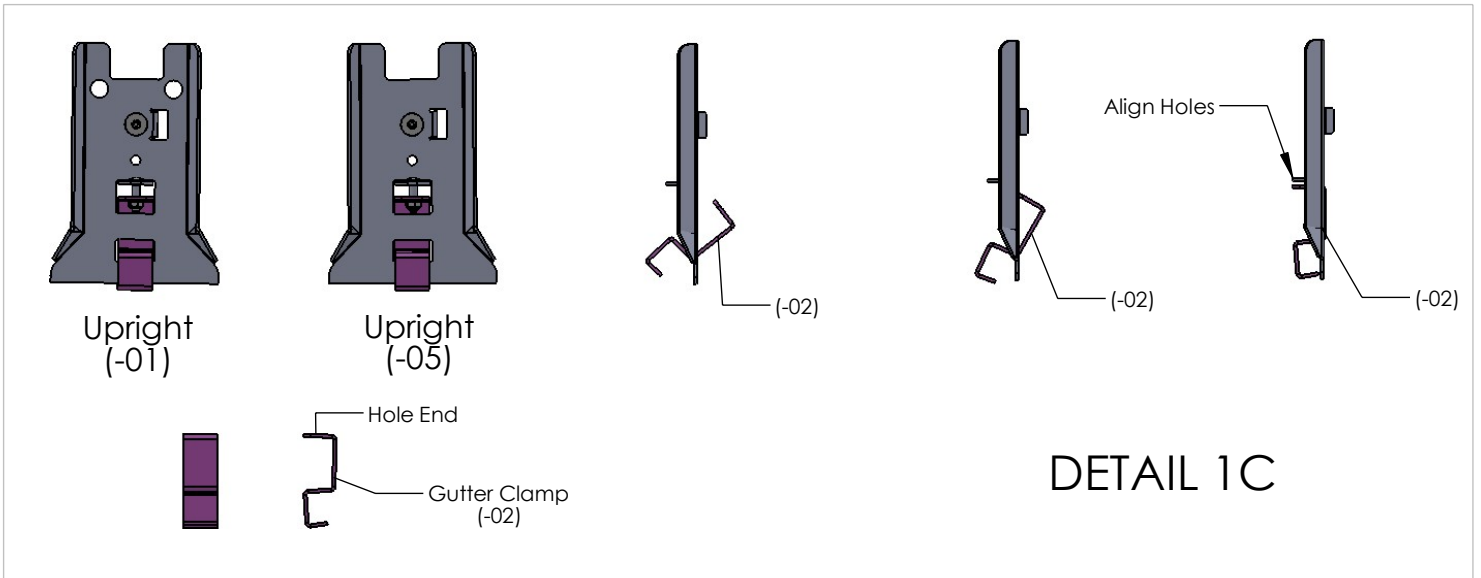
Qty





STEP 1:

Attach uprights (-01) to telescope tube (-04) and uprights (-05) to crosstube (-03) using allen head bolt (g). Now insert telescope tube (-04) assembly into cross tube (-03).



STEP 2:

Set rack assembly in place on the van gutter and even up. Insert setscrew (e) in cross tube (-03) and snug tighten. Now slip the gutter clamp (-02) (hole end) through the lower window of the upright and rotate through the top window of the upright to align the holes as shown in DETAIL 1C.

STEP 3:

Insert gutter clamp bolts (d) flat washers (c) and nylock nuts (f). Snug all bolts. **DO NOT OVER TIGHTEN.**