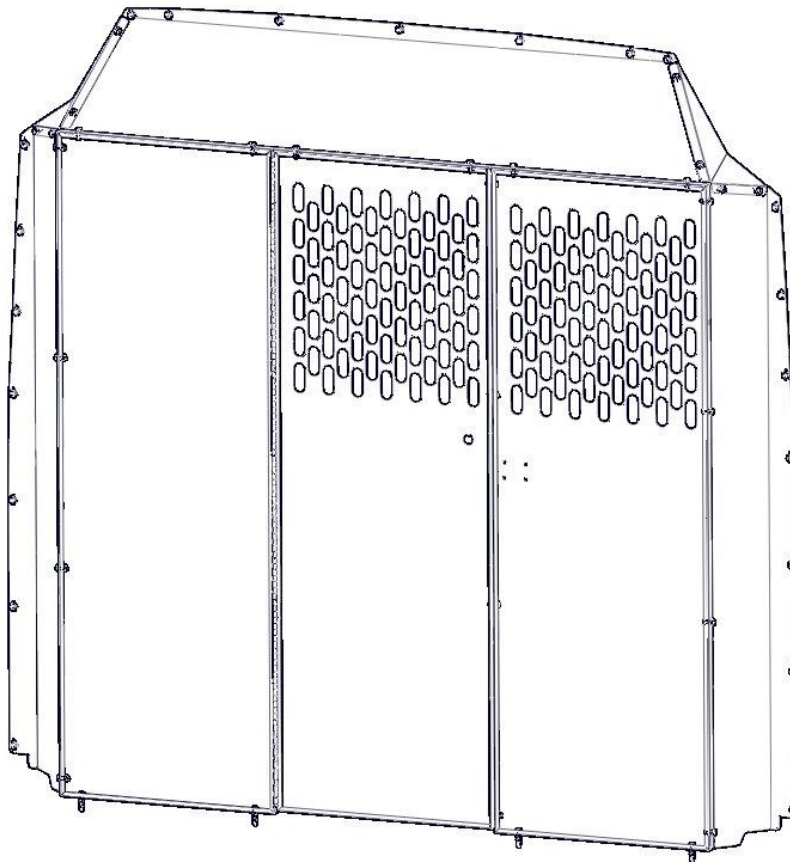




WE PUT EVERYTHING WITHIN REACH.

Installation Guide

406SL



Kargo Master
Rancho Cordova, CA 95742
800-343-7486
CustomerService@KargoMaster.com

DATE: _____

***PLEASE READ ALL INSTRUCTIONS AND WARNINGS PRIOR TO ASSEMBLING,
INSTALLING, AND USING THIS PRODUCT***

Warning



Always check for wires, fuel tanks and lines, brake lines and other important vehicle functionality items prior to drilling and installing all products.

Tools Needed

3/8" Wrench and Socket	7/16" Wrench and Socket
------------------------	-------------------------

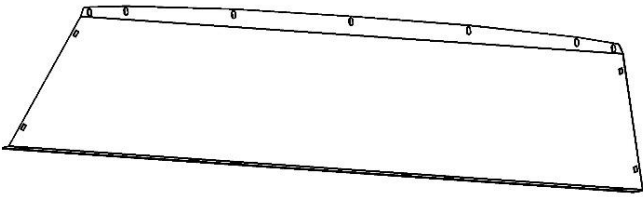
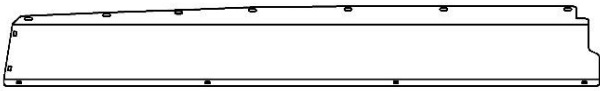

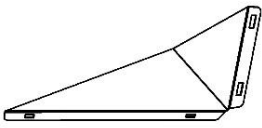
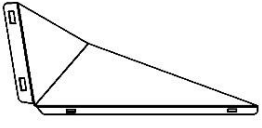
Table of Contents

Parts List	2
Hardware List	2
Step 1 Bolt Side Wings to Partition	3
Step 2 Bolt Top Wing to Partition	4
Step 3 Bolt Corner Supports	5
Step 4 Install into Van	6

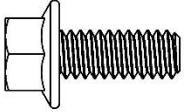
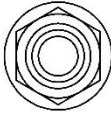
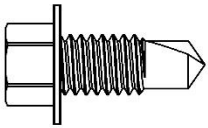
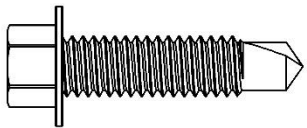
Before You Begin

- Have Large Partition (40651) assembled.
- Read all instructions.
- ENSURE SAFETY BEFORE ATTACHING SELF TAP BOLTS.

Parts

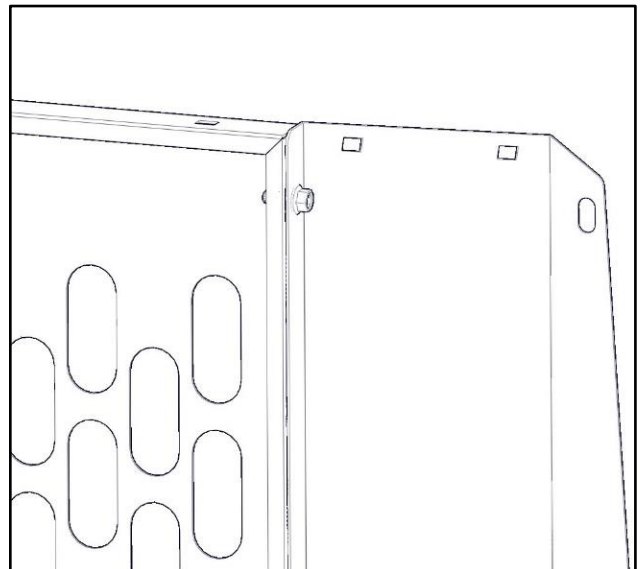
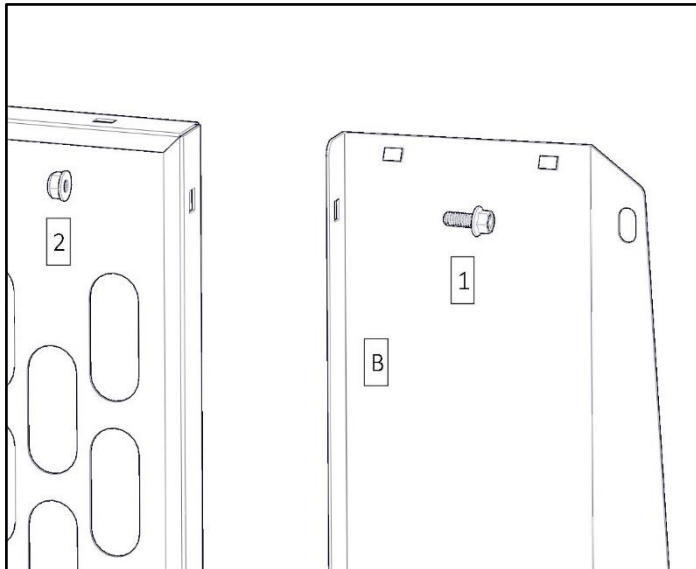
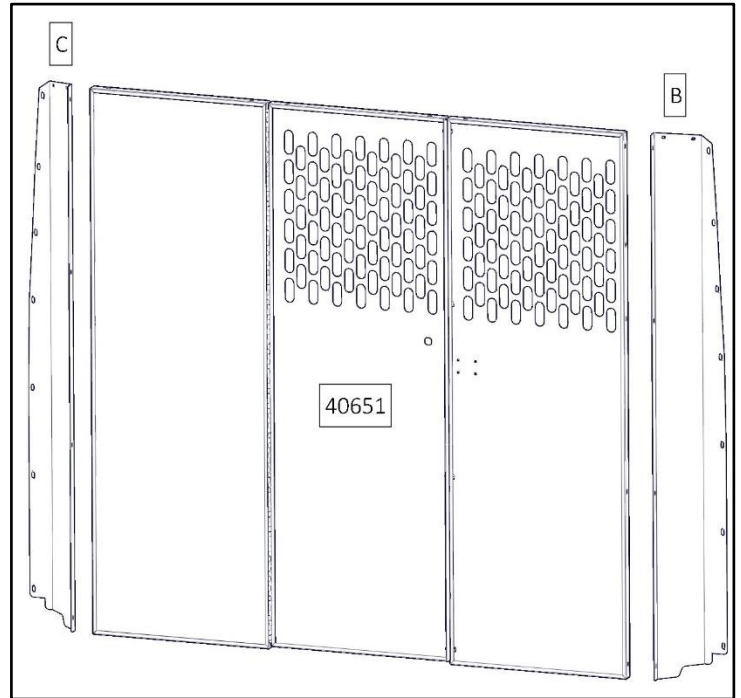
ITEM NO.		PART NUMBER	DESCRIPTION	QTY.
A		406SL-10-001-R1	Sprinter Low-Roof Top Panel	1
B		406SL-10-002-R1	Sprinter Low Roof-PS Wing	1
C		406SL-10-002-R1-Mirror	Sprinter Low Roof-DS Wing	1
D		406SL-10-004-R1	Sprinter Low Roof-PS Corner Panel	1
E		406SL-10-004-R1-Mirror	Sprinter Low Roof-DS Corner Panel	1
		18-406SL	Hardware Kit - Low Roof Sprinter	1

Hardware

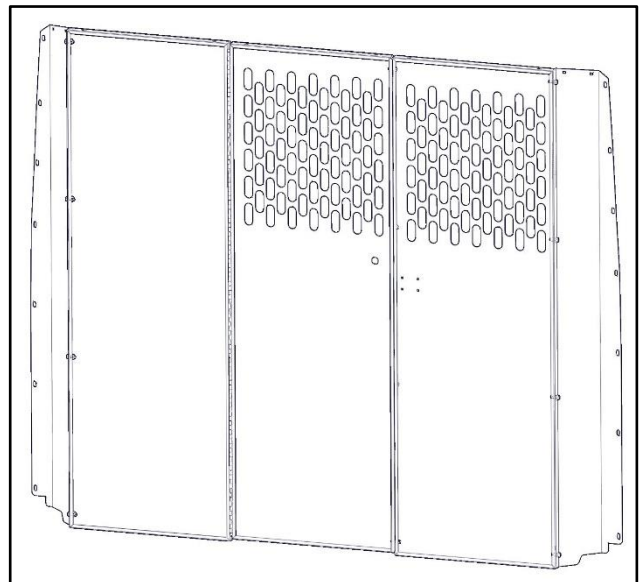
ITEM NO.	TO SCALE	PART NUMBER	DESCRIPTION	QTY.
1		92979A114	.25-20 x .625 Flange HH	22
2		93298A110	.25-20 Flanged Nyloc Nut	22
3		.312x.75 Self Tapping	.312x.75 Self Tapping	21
4		.312x1.25 Self Tapping	.312x1.25 Self Tapping	4

Step 1 – Bolt Side Wings To Partition

- Place both passenger side wing (B) and driver side wing (C) in orientation shown with reference to the partition.
- Bolt together using a 1/4"-20 x .625" flanged HH (1) and a 1/4"-20 flanged nyloc nut (2).

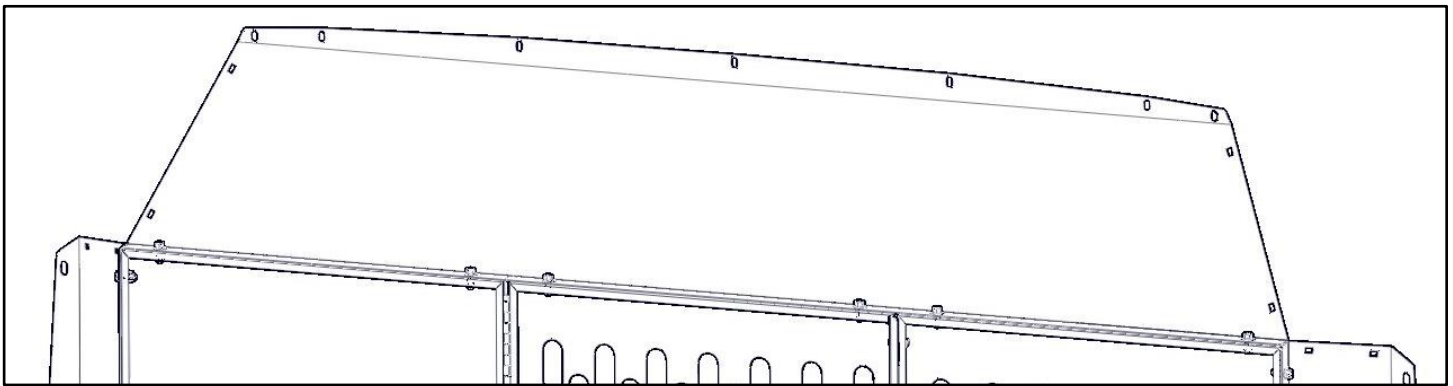
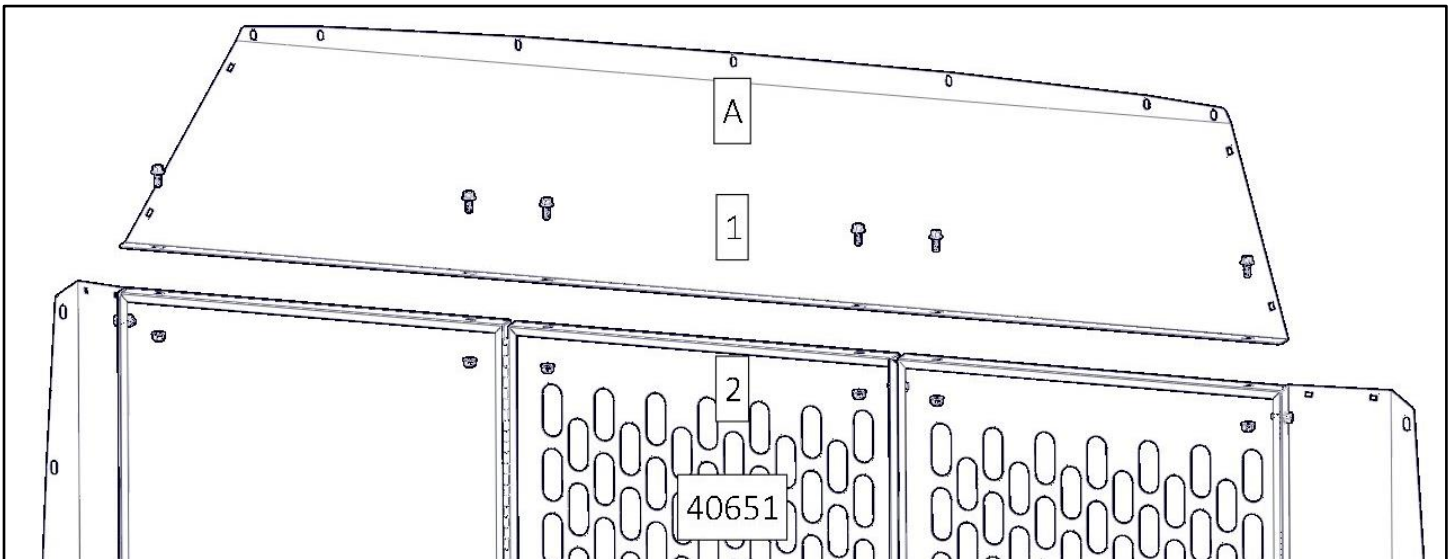


- Repeat for a total of 4x on each panel.
- Leave bolts snug tight to allow movement until partition is placed into vehicle.

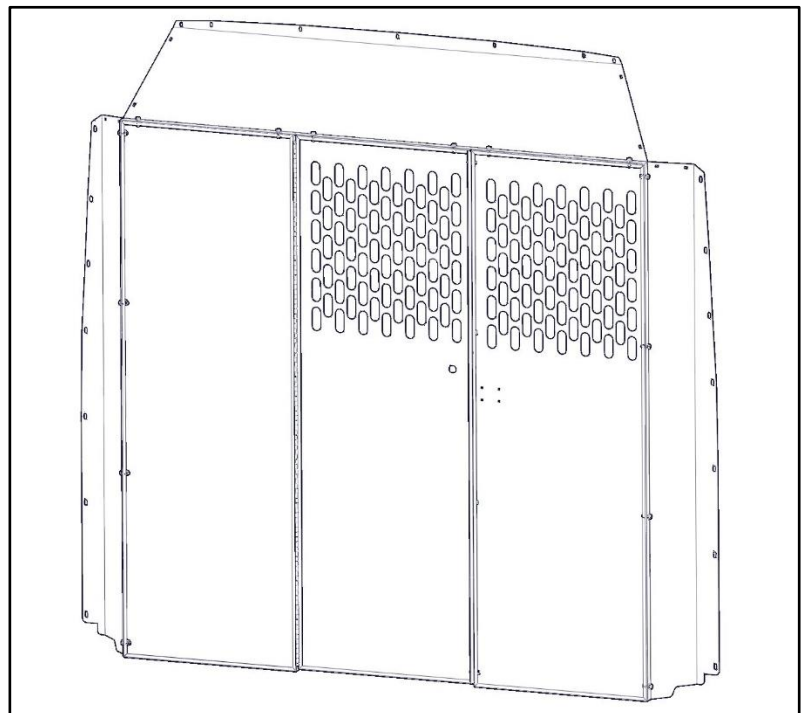


Step 2 – Bolt Top Wing to Partition

- Place top wing (A) and driver side wing (B) in orientation shown with reference to the partition.
- Bolt together using a 1/4"-20 x .625" flanged HH (1) and a 1/4"-20 flanged nyloc nut (2).

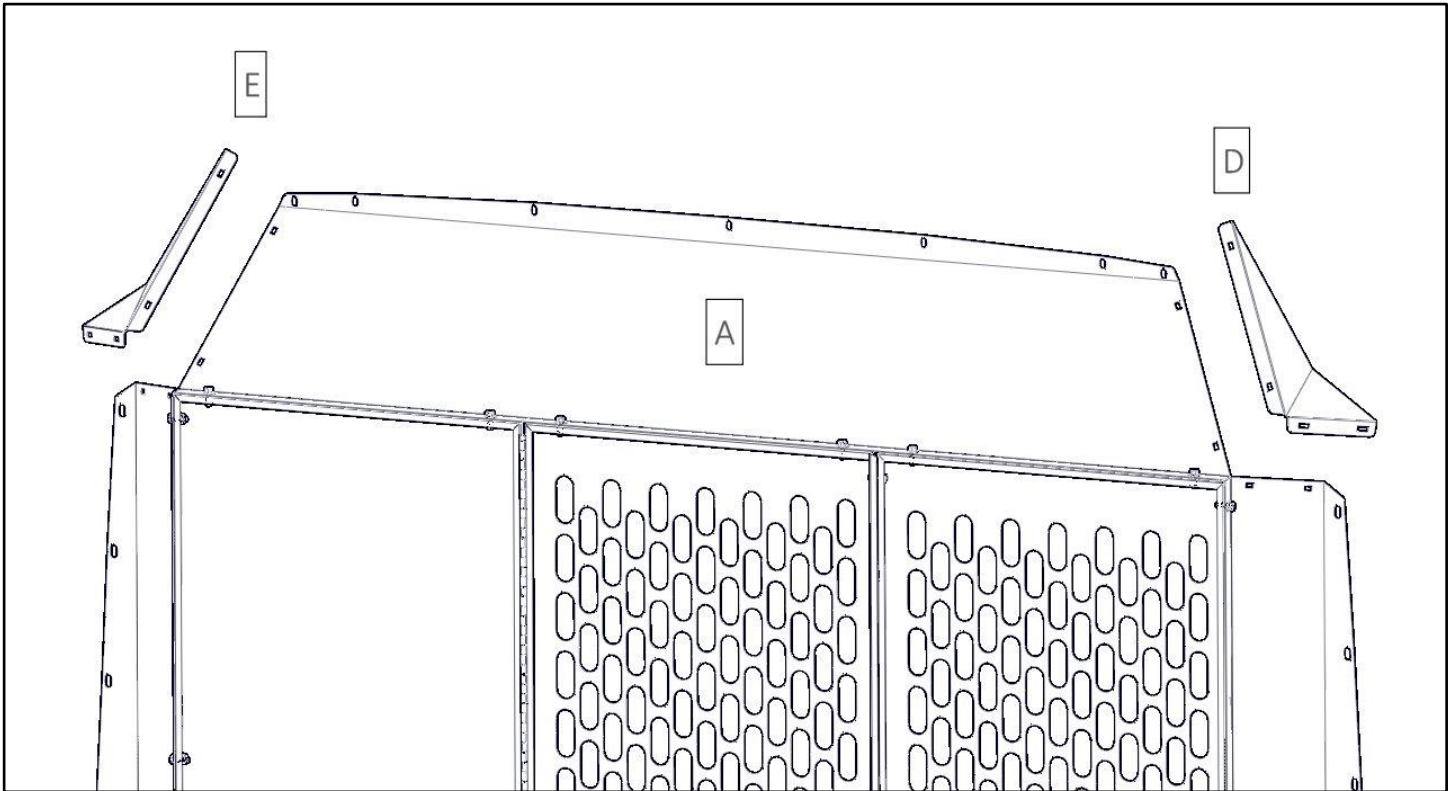


- Repeat for a total of 6x.
- Snug Tighten

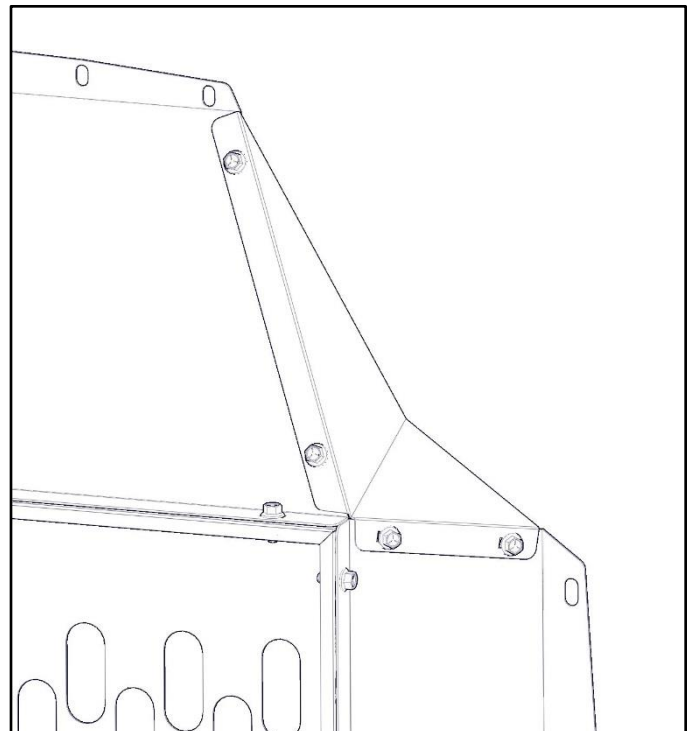
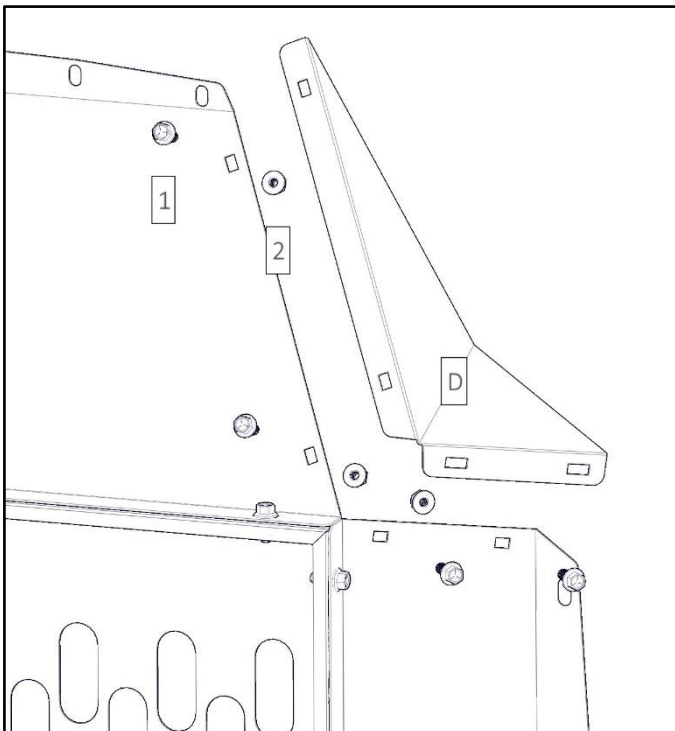


Step 3 – Bolt Corner Supports

- Bolt corner supports (D&E) to connect the top wing (A) with bolt side wings (B&C).
- Bolt together using a 1/4"-20 x .625" flanged HH (1) and a 1/4"-20 flanged nyloc nut (2).

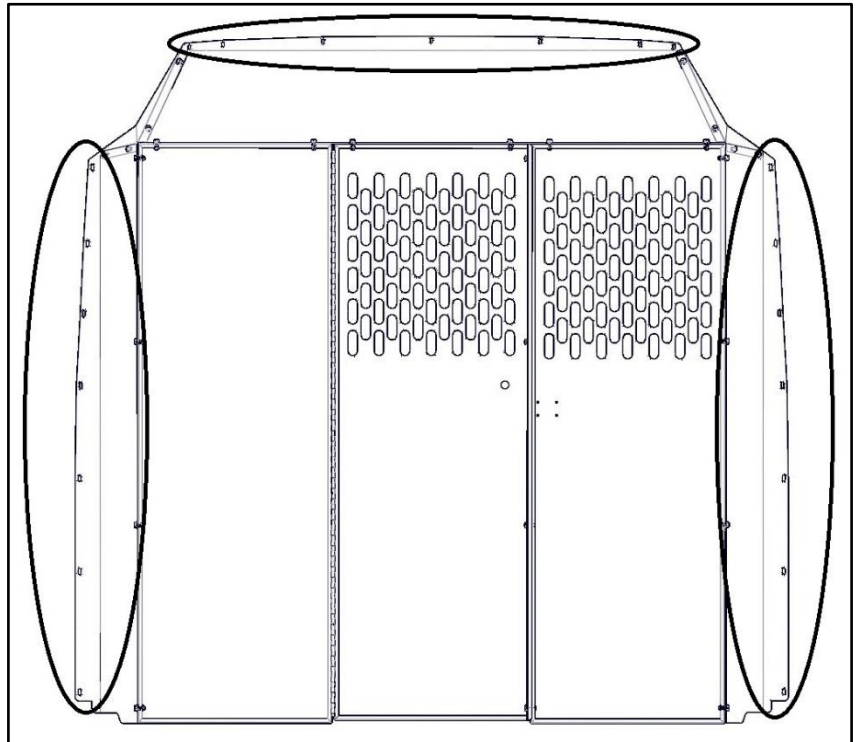


- Repeat for a total of 4x on each corner piece.
- Snug Tighten



Step 4 – Install into Van

- Place partition with wings into van. Have the wings orientated towards the “B” pillars.
- Press firmly against the “B” pillars and the support across the roof.
- Square the bottom of the partition.
- Tighten all bolts connecting wings to partition.



- Install using self tapping hardware.
- Use the .75” hex bolt (3) along the “B” pillars and across the roof.
- Use the 1.25” hex bolt (4) in floor.

**GO BACK AND TIGHTEN
ALL BOLTS
YOUR INSTALLATION IS
NOW COMPLETE**

