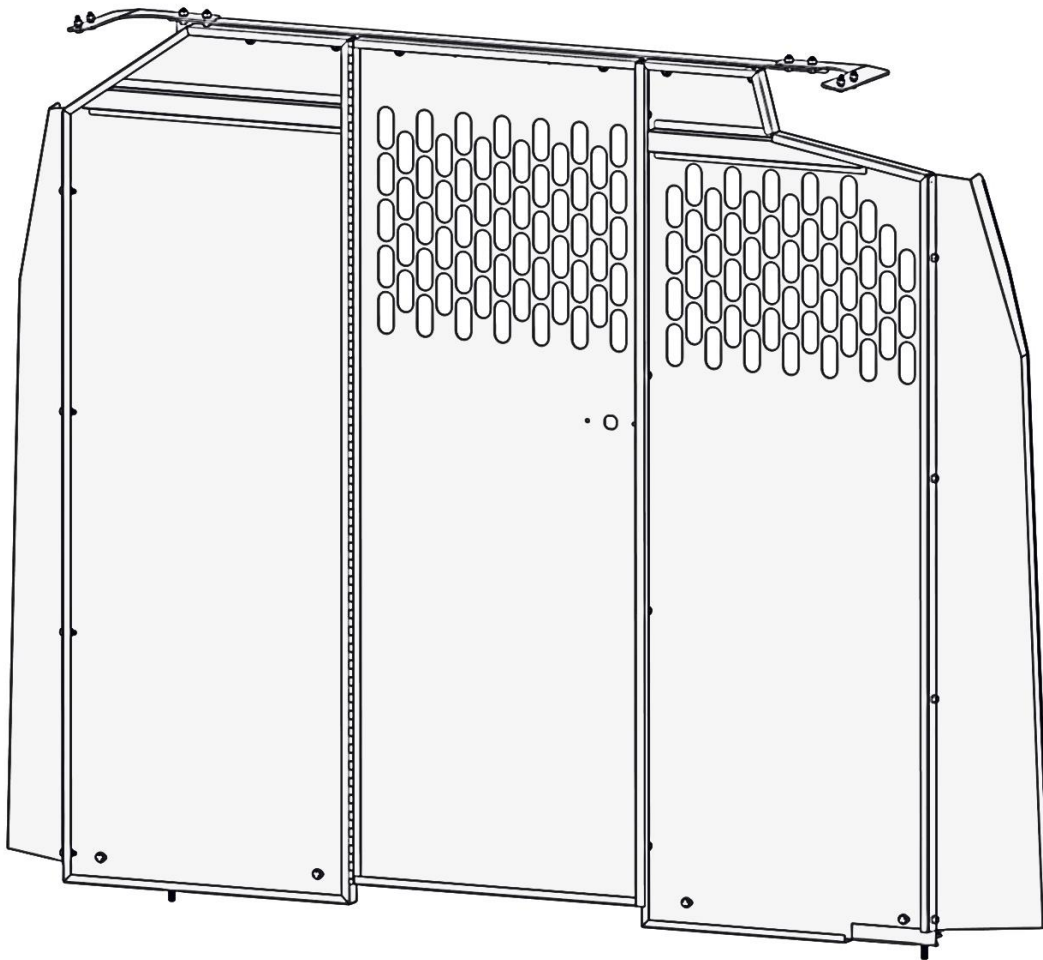


KARGO MASTER®

WE PUT EVERYTHING WITHIN REACH.

Instruction Guide

406GM



*Partition sold separately.

Kargo Master
Rancho Cordova, CA 95742
800-343-7486
CustomerService@KargoMaster.com

PLEASE READ ALL INSTRUCTIONS AND WARNINGS PRIOR TO ASSEMBLING, INSTALLING, AND USING THIS PRODUCT.

Warning



Always check for wires, fuel tanks and lines, brake lines and other important vehicle functionality items prior to drilling and installing all products.

Tools Needed

3/8" Socket and Wrench	10mm Socket and Wrench
7/16" Socket and Wrench	9/16" Box Wrench
25/64" Drill Bit	Drill Stop
Drill	

Table of Contents

Parts List 2

Hardware 3

Step 1 – Attach Side Wings 4

Step 2 – Attach Upper Mount to Partition 5

Step 3 – Install Upper Corner Mounts 6

Step 4 – Install Floor Mounts 8

Step 5A – Install Plus Nuts into Floor 8

Step 5B – Install Partition to Floor 10


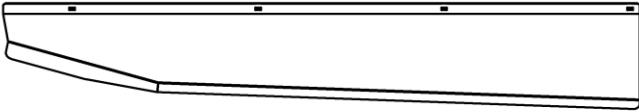



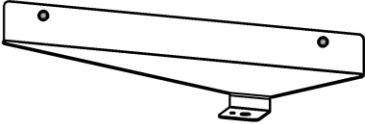
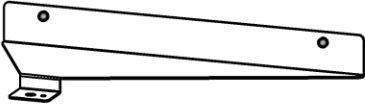
Step 6 – Attach Upper Mount to Partition 10

Step 7 – Attach Partition to Floor Mounts..... 11

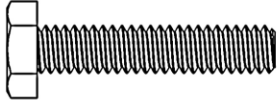
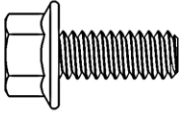
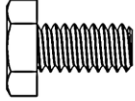
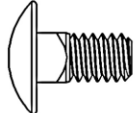

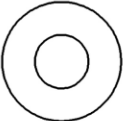
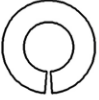
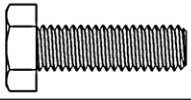
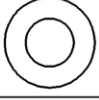
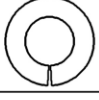

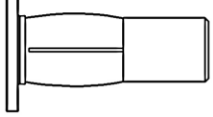
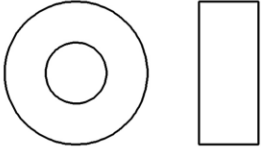
Before You Begin

- Read all instructions prior to assembling or installing any Kargo Master product.
- **Always locate your installation locations prior to performing any work.**
- **Be sure to have partition assembled and ready to be installed.**

Parts List

ITEM NO.		PART NUMBER	DESCRIPTION	QTY.
A		406GM-00-001	GM-Wing Panel PS	1
B		Mirror406GM-00-001	GM-Wing Panel DS	1
C		406GM-00-003	Upper Mount	1
D		406GM-00-004	GM-Upper Corner Mount DS	1
E		Mirror406GM-00-004	GM-Upper Corner Mount PS	1
F		406GM-10	GM-Floor Mount DS	1
G		Mirror406GM-10	GM-Floor Mount PS	1
		18-406GM-R1	Hardware Kit	1

Hardware

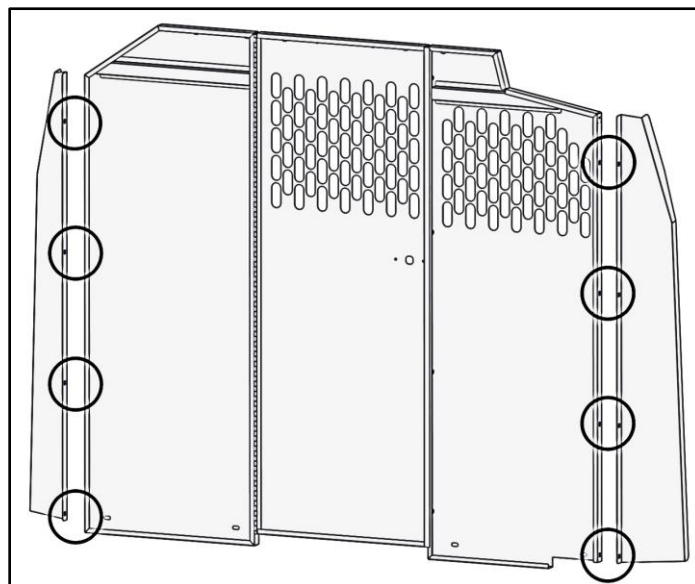
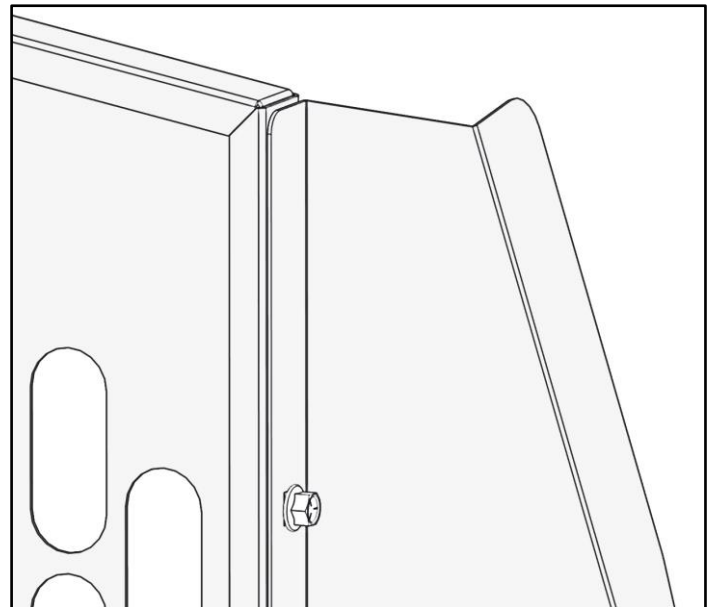
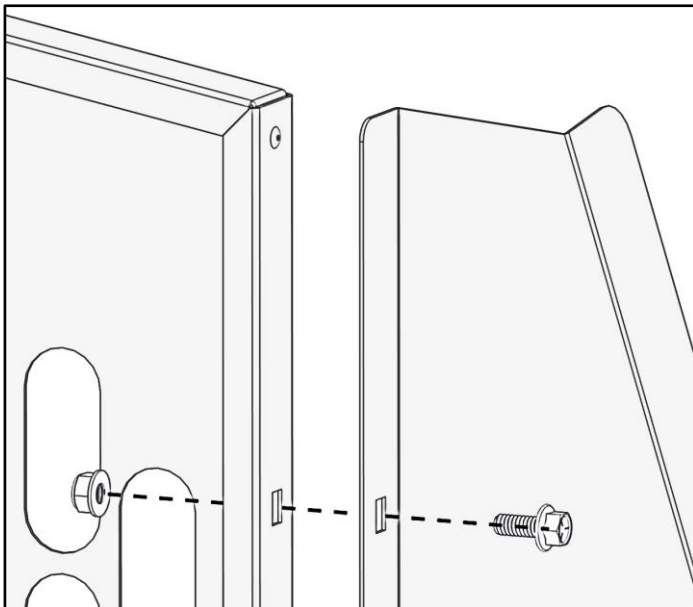
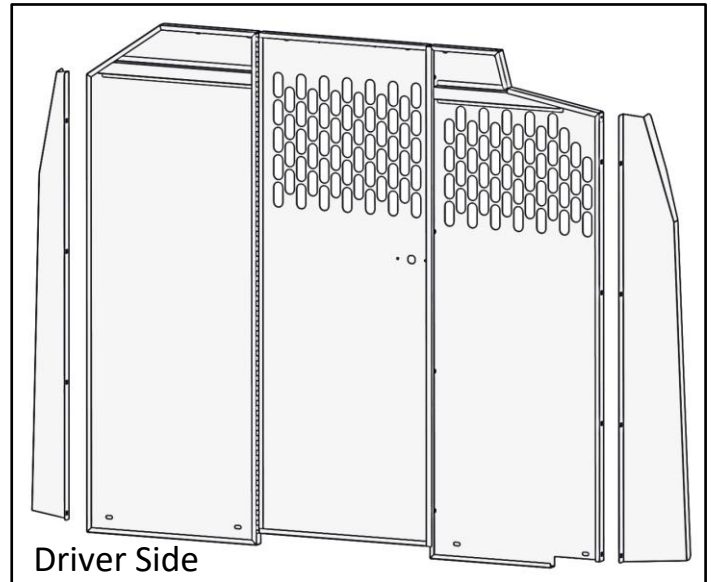
ITEM	HARDWARE TO SCALE	PART NUMBER	DESCRIPTION	QTY.
1		13800	1/4"-20 X 1-1/4" FT HEX HEAD BOLT	4
2		11126953	1/4"-20 X 5/8" FLANGED HEX HEAD	12
3		11241162	1/4"-20 X 1/2" HEX HEAD BOLT	4
4		0158942	1/4"-20 X 1/2" CARRIAGE BOLT	6
5		0167030	1/4"-20 FLANGED LOCK NUT	18
6		33078	1/4" WASHER	8
7		33618	1/4" LOCK WASHER	8
8		0185061	M6-1 X 20MM HEX HEAD	4
9		11552364	M6 FLAT WASHER	8
10		40381	M6 LOCK WASHER	2
11		11564981	M6 NYLON LOCKING LOCK NUT	4
12		920313726	1/4"-20 PLUS NUT	4
13		-	25/64" ID X 1" OD X 3/8" NYLON SPACER	4

Step 1 – Attach Side Wings

- Bolt both wings to the outer edges of partition in the orientation shown using 1/4" x 5/8" flanged hex head bolts and 1/4" flanged lock nuts.

Note: The panel that has no holes, is the driver side of the partition.

- Position each wing so that maximum seat space is achieved when attaching to partition.
- Repeat for a total of 8 times.
- Snug tighten, but allow movement.

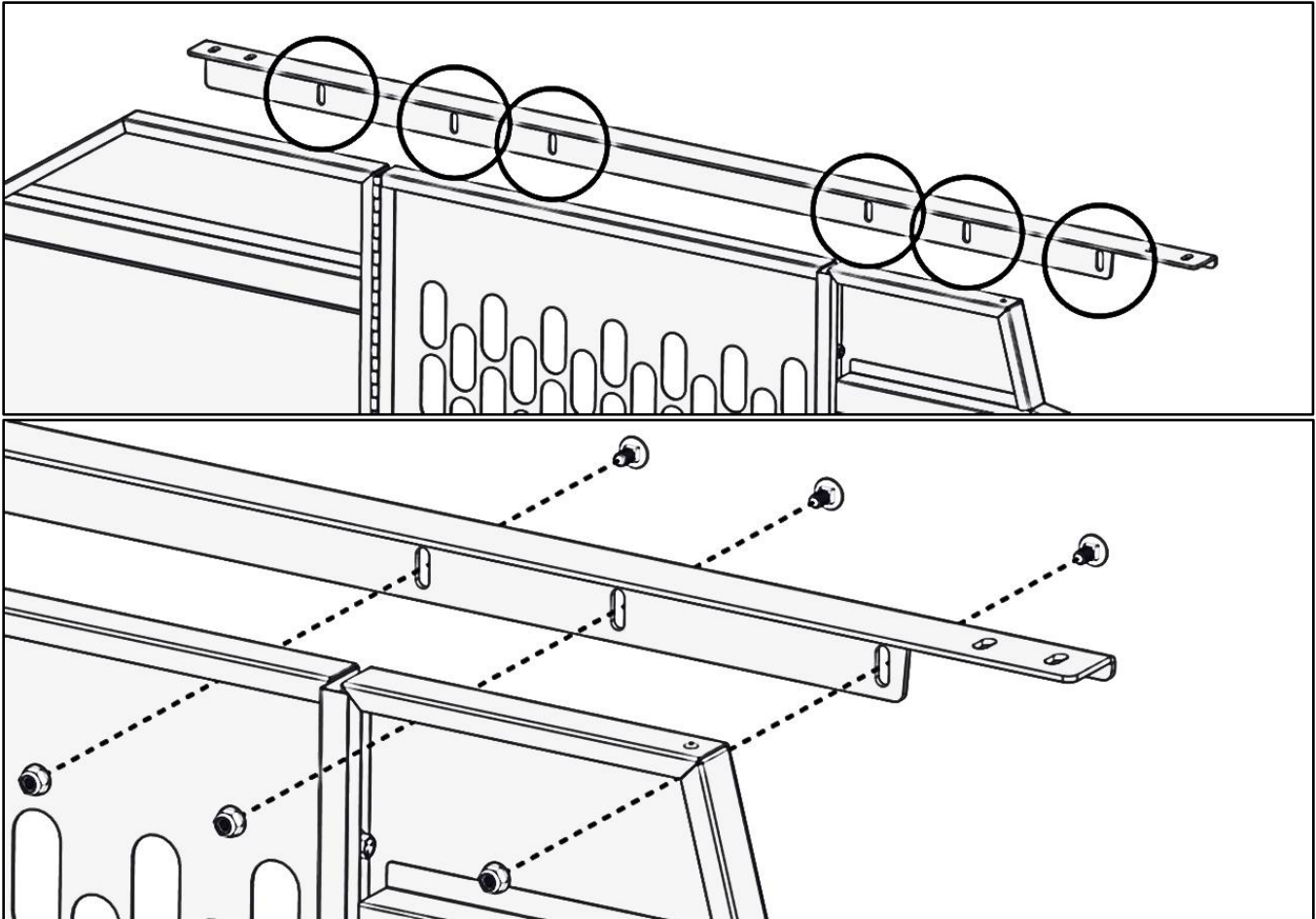


Step 2 – Attach Upper Mount to Partition

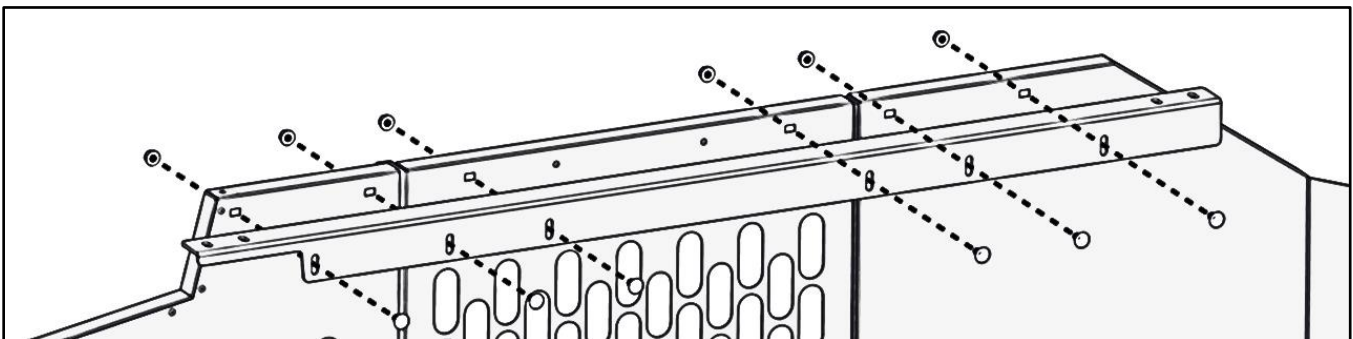
- Place the upper mount against the partition assembly with the wing panels.
- Bolt the upper mount to the partition in the orientation shown using 1/4" x 1/2" carriage bolt and 1/4" flanged lock nut. The head of the carriage bolt goes on the cab side.

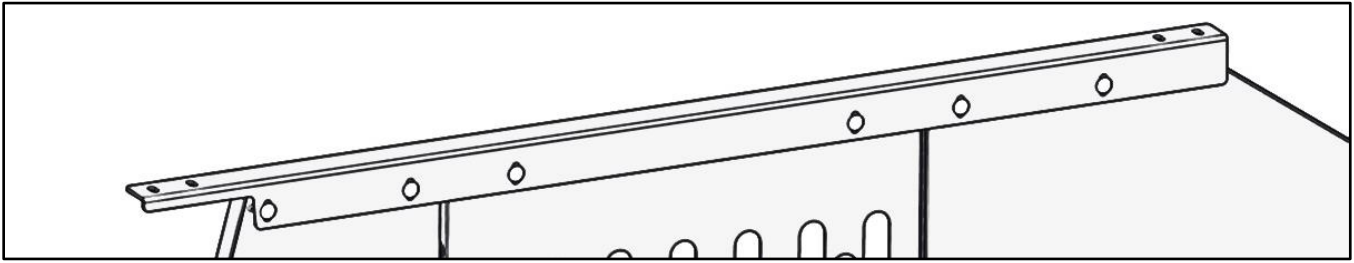
Note: If using the pass through door, leave the hardware out of the two door locations.

- Snug tighten, but allow movement.



Views shown below are from the cab side of the van.





Step 3 – Install Upper Corner Mounts

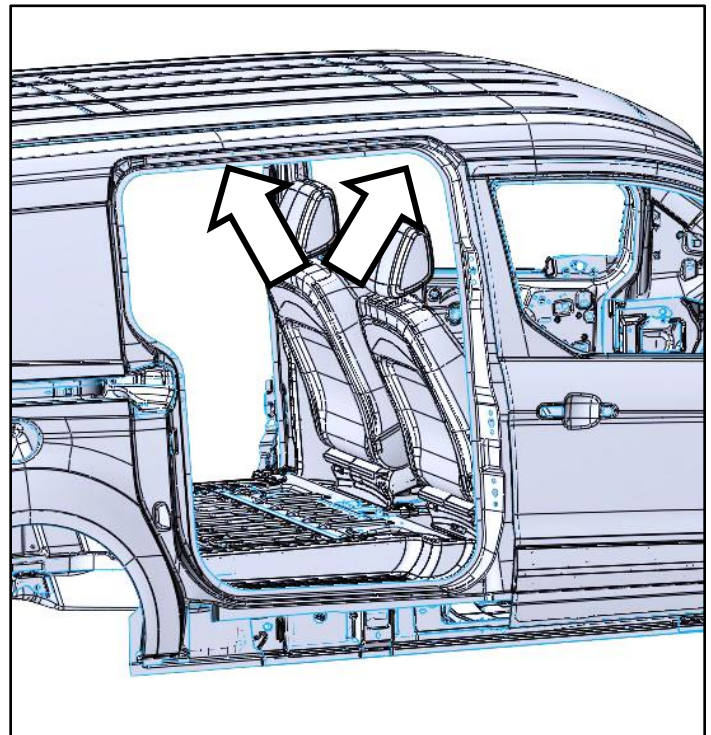
- Along the roof of the van, locate the mount locations behind both seats. These are above the slider door.

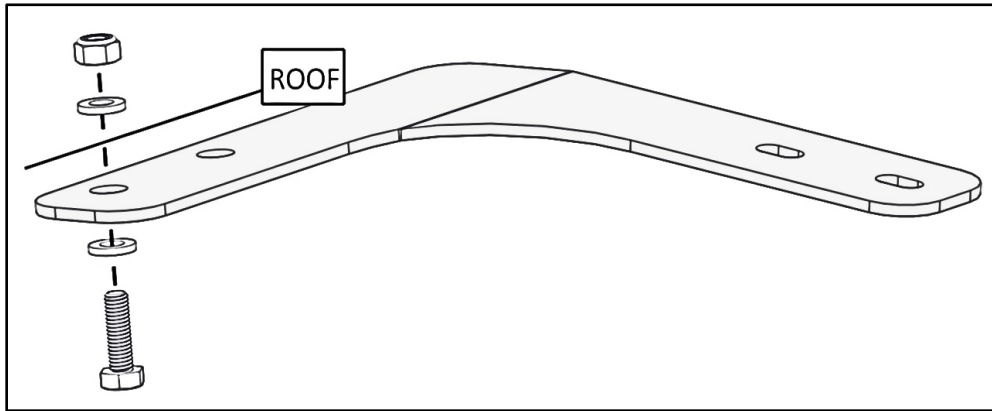


- Evaluate the mounting locations and determine if a threaded emboss is present.

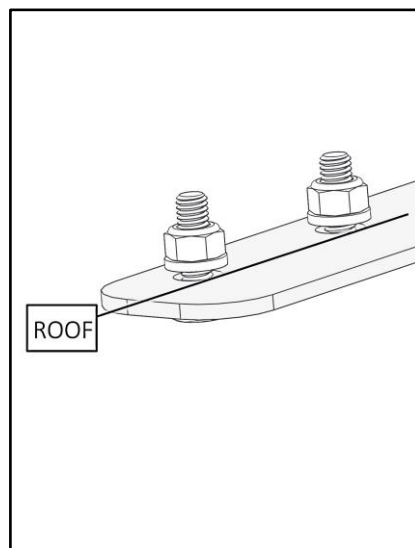
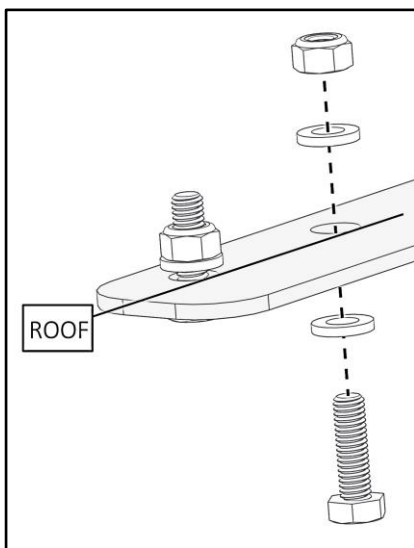
Note: In some vans, a M6 threaded emboss will be attached (see picture above). The others will have two through holes.

- Be sure to use the correct upper corner mount. When the mount is attached properly, the flange should be towards the front of the vehicle and parallel to the floor. The slots in the upper corner mount will attach to the partition assembly.
- Through the rear most hole of the upper corner mount, attach in place using a M6 x 20mm hex head bolt, two M6 flat washers and a M6 lock nut in the orientation shown.
- Repeat on both sides.

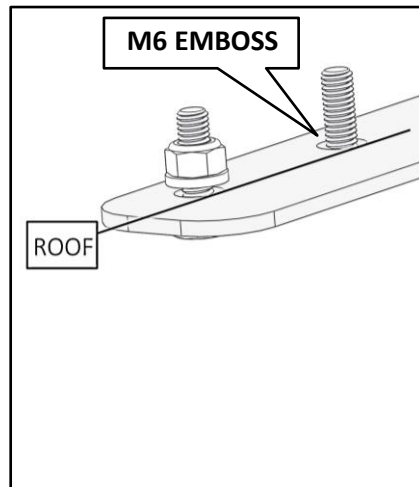
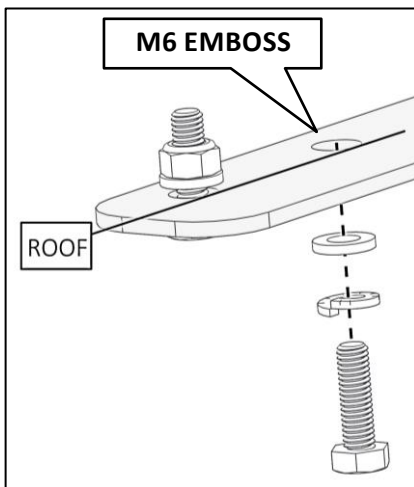




- If there is no threaded emboss on the forward most hole location, install using a M6 x 20mm hex head bolt, two M6 flat washers and a M6 lock nut in the orientation shown.



- If a threaded emboss is present, attach through the front most hole location using a M6 x 20mm hex head bolt, M6 lock washer and M6 flat washer as shown.
- Snug tighten, but allow movement.

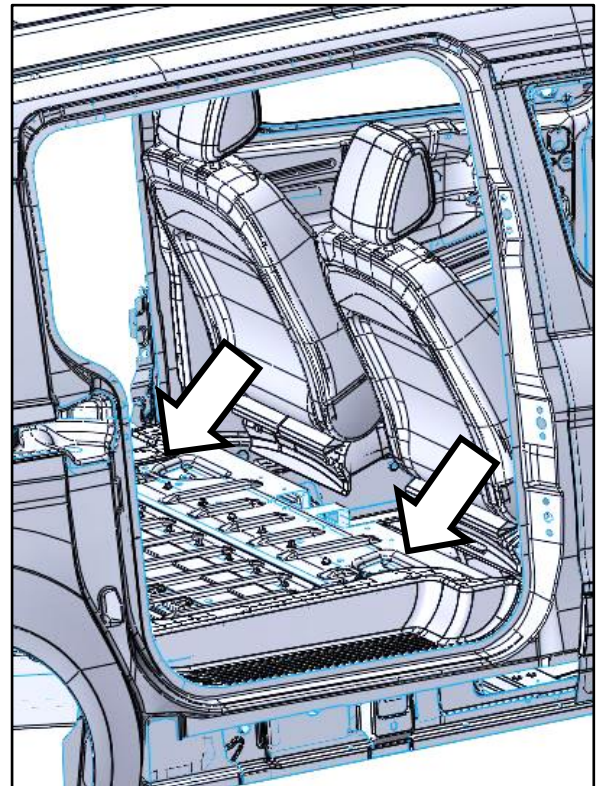
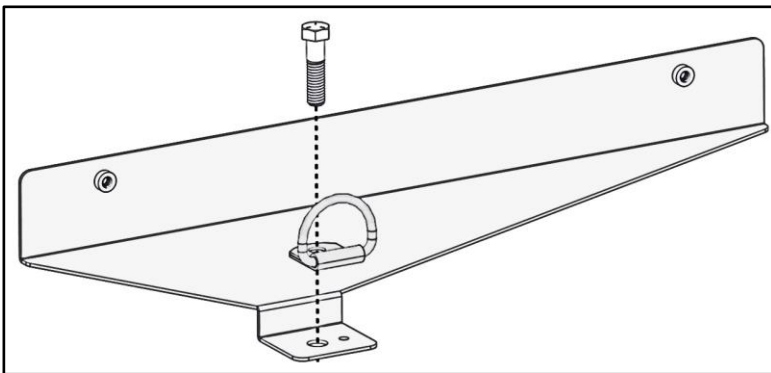


- Repeat on opposite side of the van.

Step 4 – Install Floor Mounts

NOTE: If your vehicle does not have D-rings, skip this step and proceed to Step 5.

- Behind both seats, locate the D-Rings in the floor.
- Remove both D-Rings.
- Align the floor mounts with the previously removed D-Rings. Have the floor mounts oriented to the rear of the van.
- Install the floor mounts using the previously removed D-Rings as shown.
- Snug tighten, but allow movement.



Step 5A – Install Plus Nuts into Floor

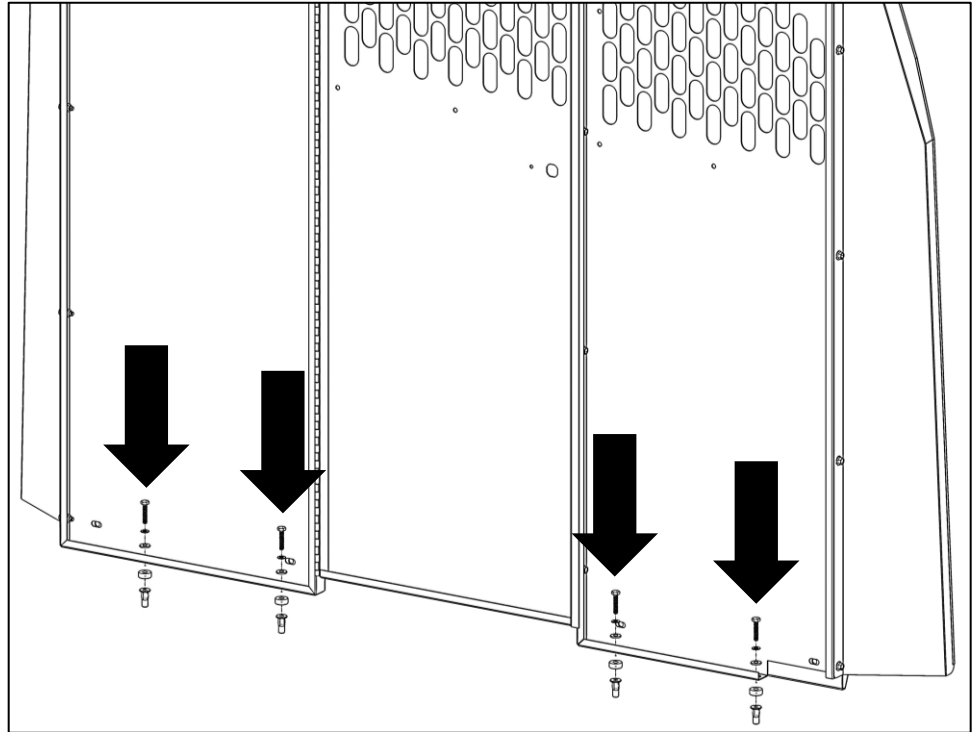
NOTE: It is recommended installing the partition to the floor using plus nut if you do not have D-rings installed in the floor, if you are installing 40620 Partition Center Panel Latch & Door Lock Kit, or if you desire additional partition stability.

- Place assembled partition into van. Be sure the wing panels are toward the front of the van and the perforated partition side panel in the 40660 is on the passenger side.
- Press the assembled partition with wings firmly against the floor mounts, aligned with the upper corner mounts, and against the "B" pillar.
- Use a straight edge across the floor of the van and tight against the partition panels. Ensure the partition is square and aligned to your liking in relation to the van.
- Choose the best two locations on the bottom of each outside partition panel to drill and install plus nuts.

- Mark all the slots and holes in the bottom of the partition panels.

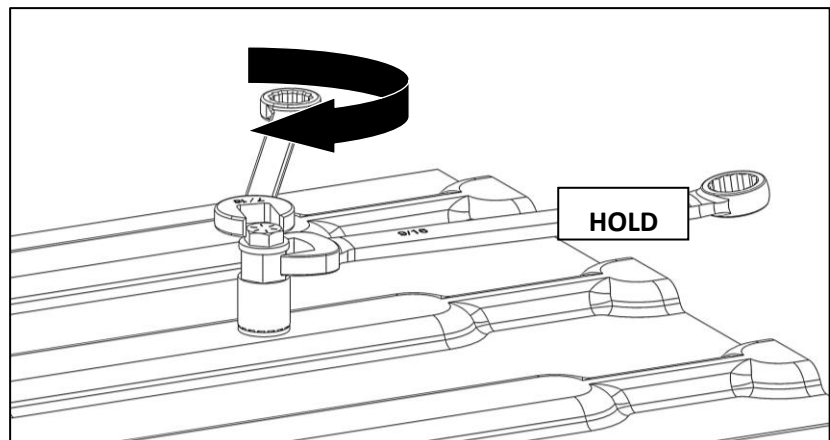
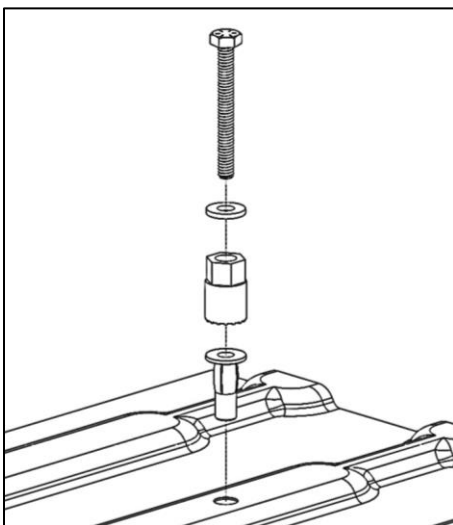
Ensure this is the location of where you want the partition to be installed

- Set partition assembly aside so the previously marked holes can be accessed.



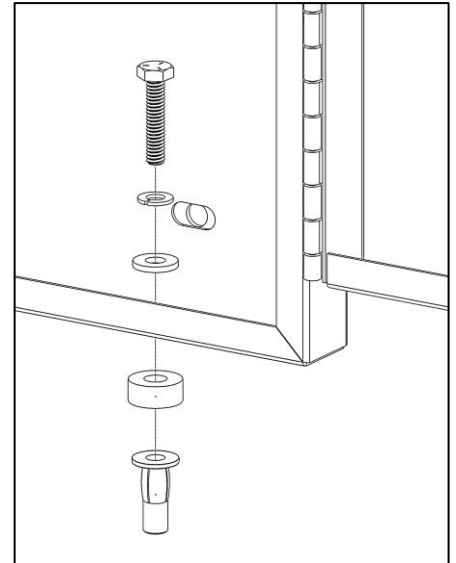
When installing hardware through any installation surface, always ensure the area behind the installation surface is clear of electrical wiring, fuel tank or lines, or any vehicle safety features.

- At each location marked, drill a hole using a 25/64" bit. A 3/8" drill bit can be used, although it may be necessary to tap in the plus nuts.
- Screw 1/4" x 2-1/4" hex head bolt through 1/4" flat washer and plus nut installation tool, and then into plus nut. Knurled end of plus nut tool must be directed away from bolt head and contacting plus nut.
- Insert plus nut into hole.
- Using the 9/16" box wrench, hold the plus nut tool stationary and then tighten hex head bolt until plus nut is tightly gripping and does not spin when hex bolt is loosened.
- Remove plus nut tool by holding 9/16" box wrench stationary and removing the 1/4" x 2-1/4" hex head bolt.



Step 5B – Install Partition to Floor

- Put partition in vehicle and press partition into position.
- Using four 1/4" x 1-1/4" hex head bolts, four 1/4" lock washers, four 1/4" flat washers, and if necessary, up to four nylon spacers, bolt partition to plus nuts installed into floor.
- Snug tighten but allow movement.

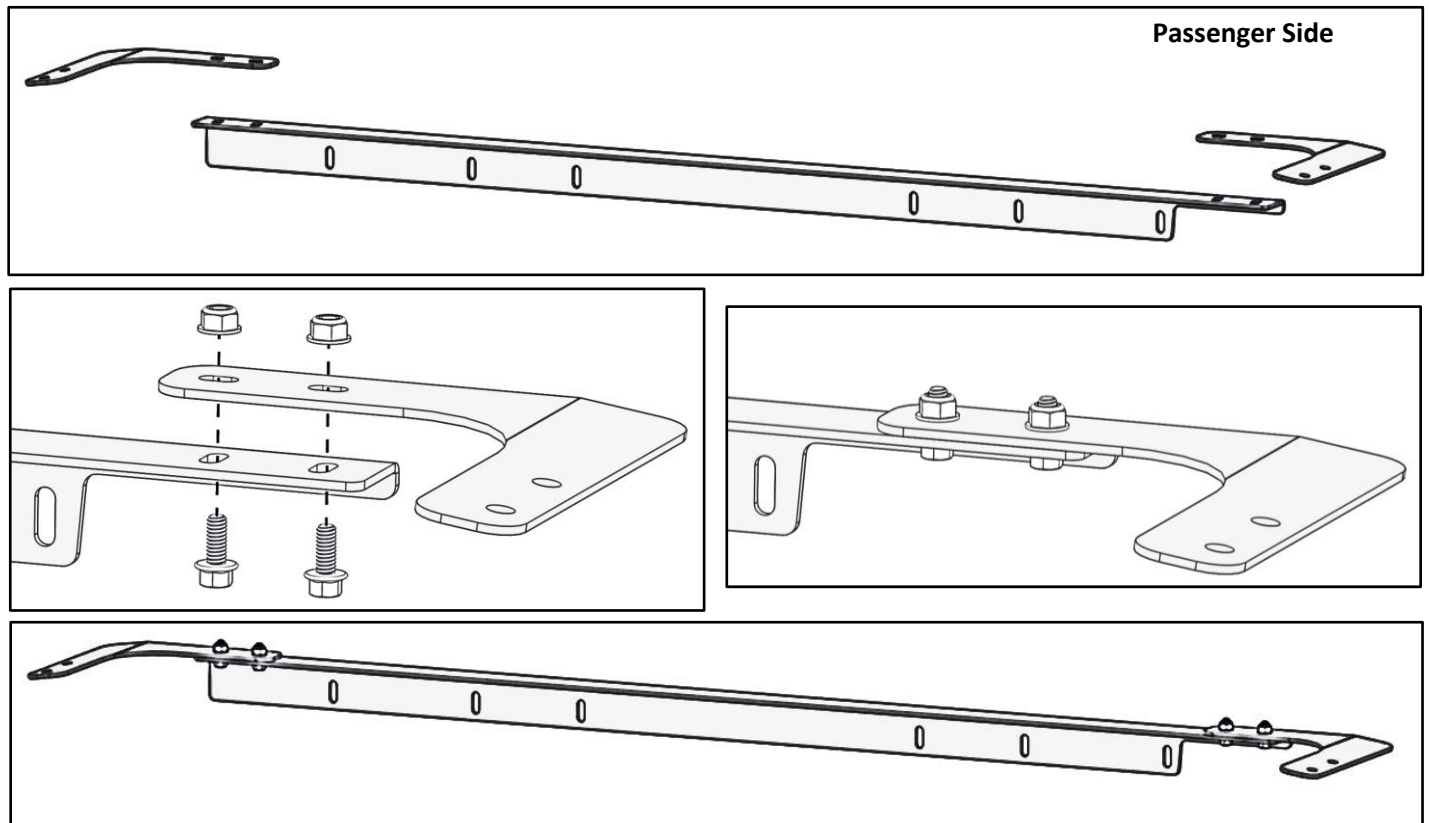


Step 6 – Attach Upper Mount to Partition

- Place the partition assembly into the van. Have the perforated panels of the partition on the passenger side. The bend in the wing panels will be directed towards the B pillar.
- Bolt the upper mount to both upper corner mounts using two 1/4" x 5/8" flanged hex head bolts and two 1/4" lock nuts in orientation shown. Be sure the bolts are facing upwards.

Note: Shown without some installed hardware and parts for simplicity.

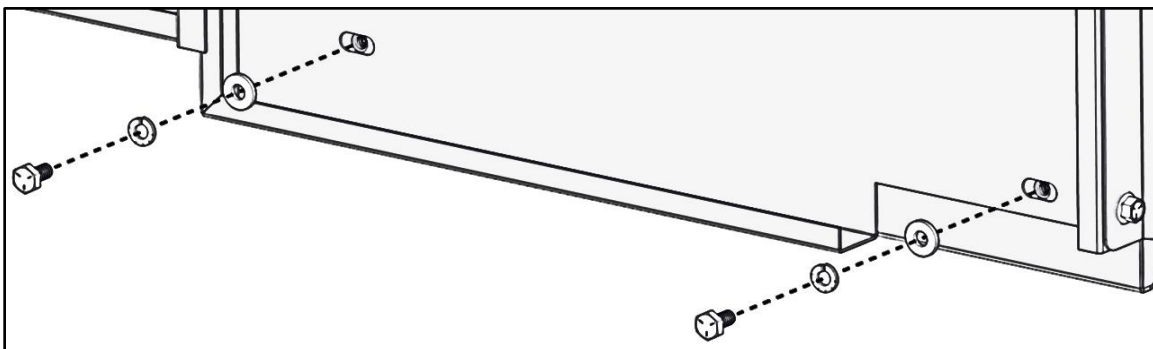
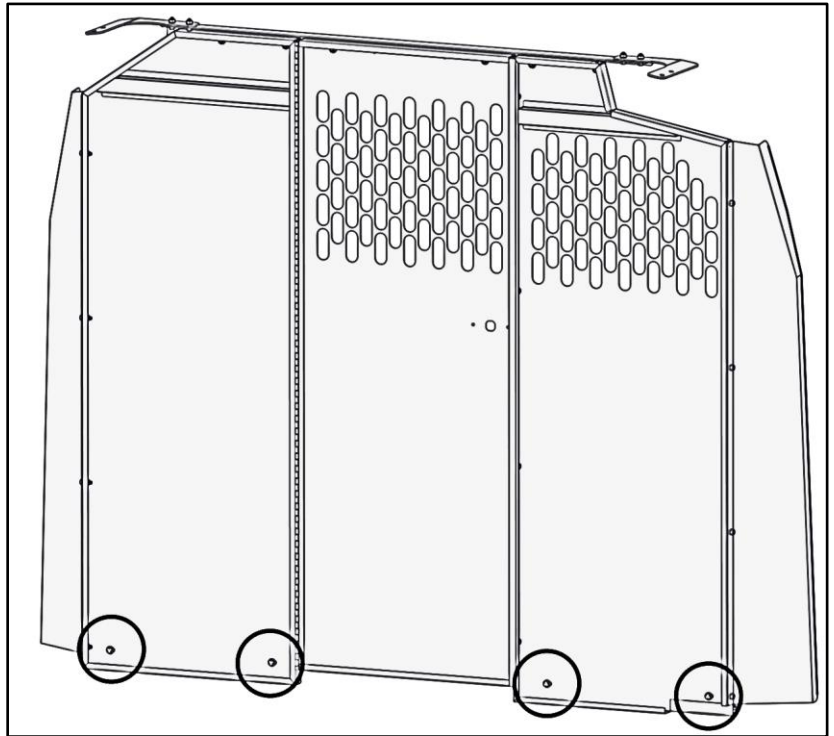
- Snug tighten, but allow movement.



Step 7 – Attach Partition to Floor Mounts

NOTE: If you skipped installing floor mounts in Step 4, skip this step.

- Locate the four mounting locations at the bottom of the partition.
- Align the four mounting holes with the previously installed floor mounts.
- Attach the partition assembly to the previously installed floor mounts using 1/4" x 1/2" hex head bolts, 1/4" lock washers and 1/4" flat washers.
- Repeat for a total of 4 times.
- Tighten.



GO BACK AND TIGHTEN ALL HARDWARE.

INSTALLATION AND ASSEMBLY ARE COMPLETE.