



**WE PUT EVERYTHING WITHIN REACH.**

---

# Instruction Guide

---

## 40653

---



---

Kargo Master  
Rancho Cordova, CA 95742  
800-343-7486  
CustomerService@KargoMaster.com

---

---

\*PLEASE READ ALL INSTRUCTIONS AND WARNINGS PRIOR TO ASSEMBLING,  
INSTALLING, AND USING THIS PRODUCT\*

---

**Warning**



Always check for wires, fuel tanks and lines, brake lines and other important vehicle functionality items prior to drilling and installing all products.

---

**Tools Needed**

3/8" Wrench and Socket	7/16" Wrench and Socket
------------------------	-------------------------

---

**Table of Contents**

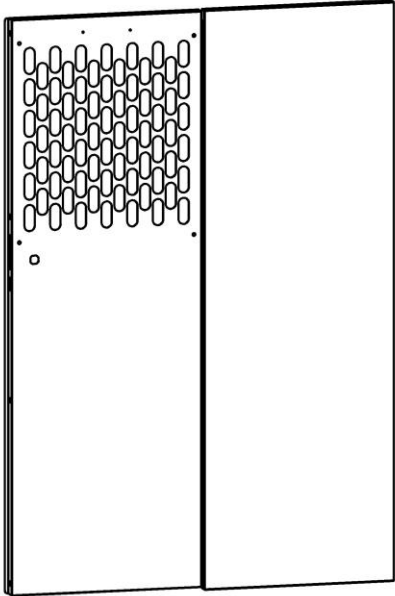
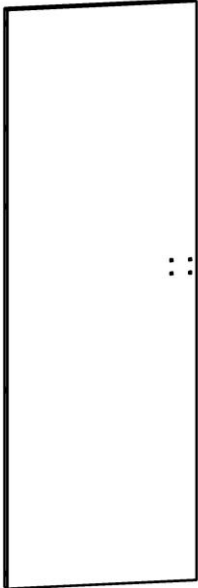
Parts List .....	2
Hardware List .....	3
Step 1 - Bolt Together .....	4-5

---

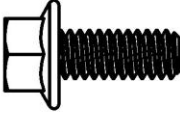
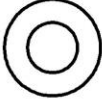

**Before You Begin**

- Read all instructions.
  - Use vehicle specific wing kit to complete installation
-

Parts

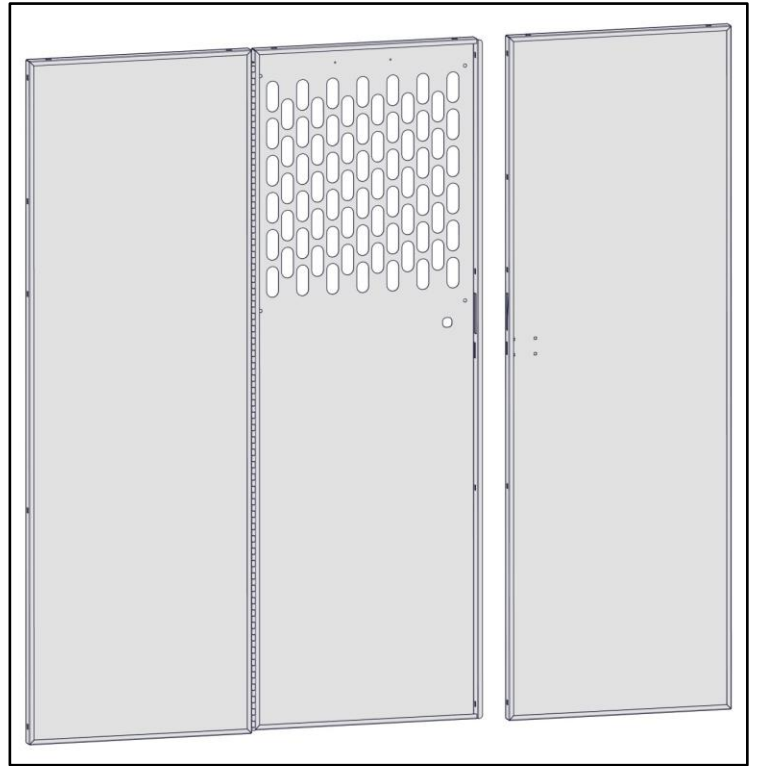
ITEM NO.		PART NUMBER	DESCRIPTION	QTY.
A		40651-10-R1	Partition Door Assembly	1
B		40652-10-003	Partition Side Panel	1
		18-00725	Hardware	1

Hardware

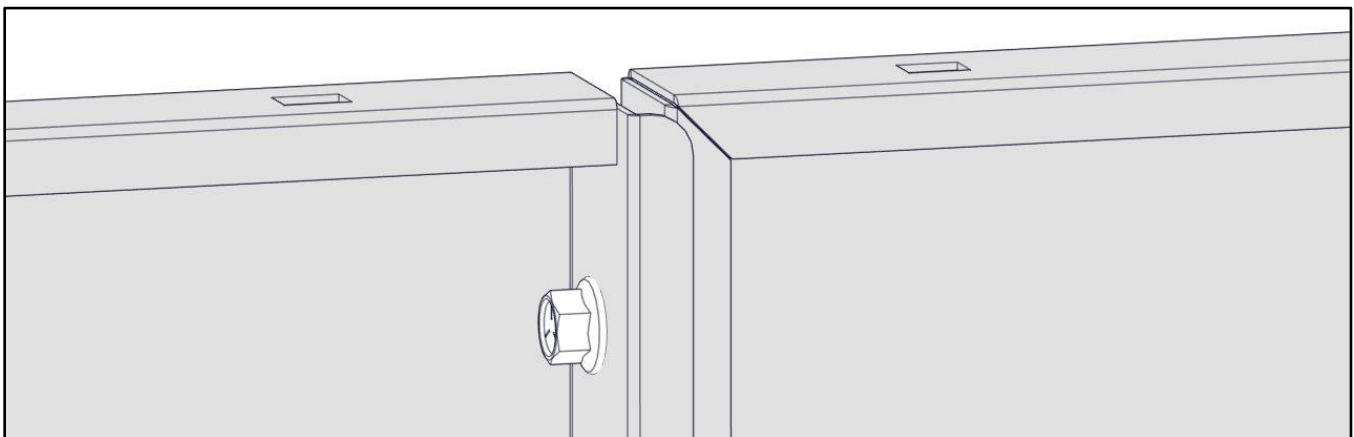
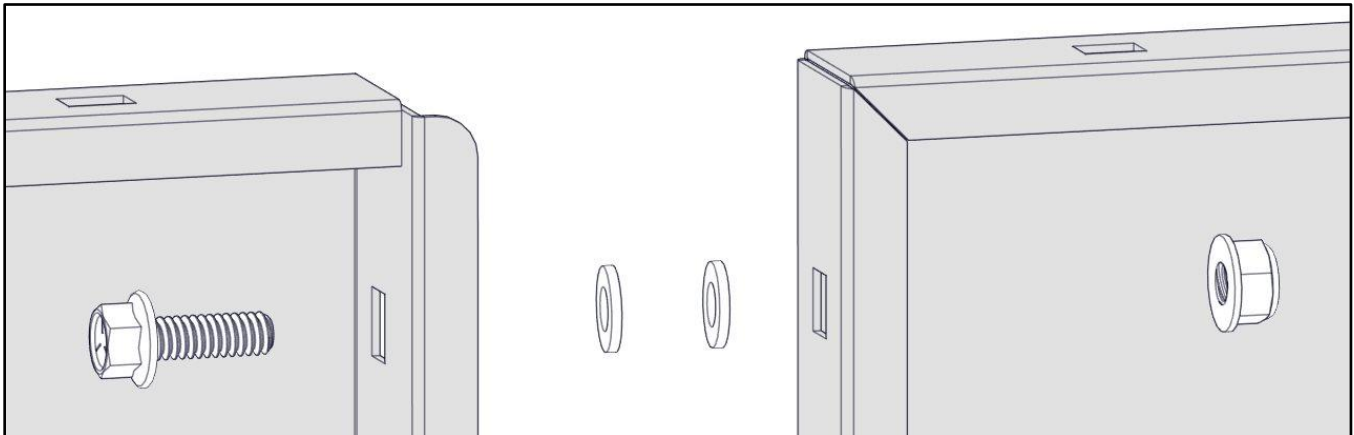
ITEM NO.	TO SCALE	PART NUMBER	DESCRIPTION	QTY.
1		92979A118	1/4"-20 x 5/8" Flanged Hex Head	4
2		90126A029	1/4" Flat Washer	8
3		93298A110	1/4"-20 Flanged Nyloc Nut	4

## Step 1 – Bolt Together

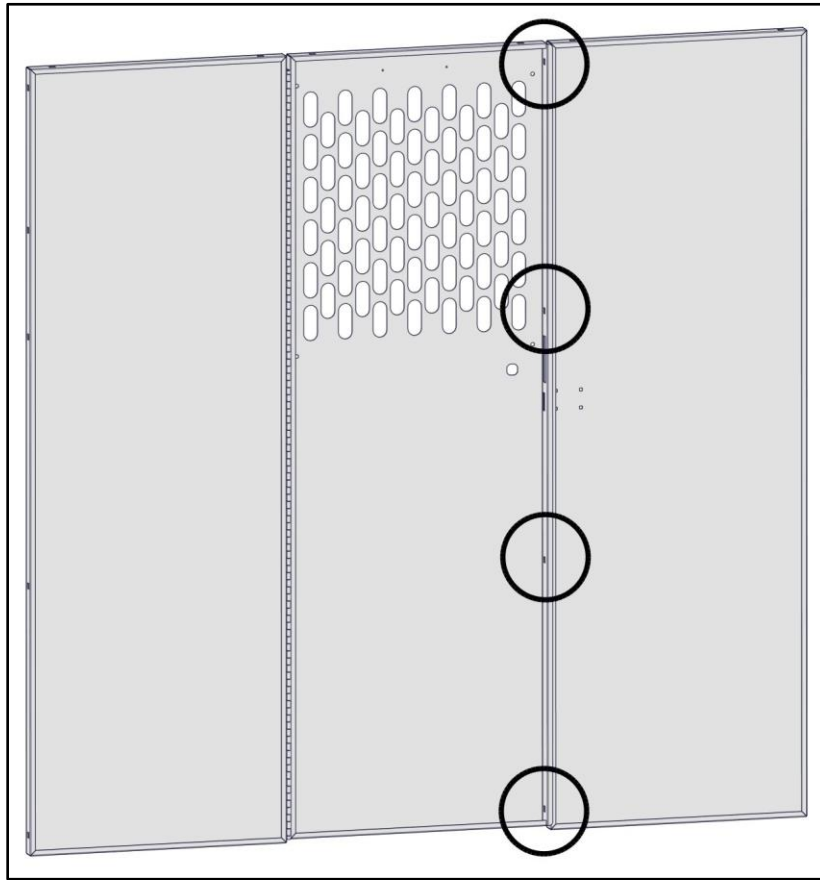
- Place both parts flat on the ground or table. Have the flanges facing upward so one can access the rectangular slots.



- Bolt together using a 1/4"-20 x 5/8" hex head bolts and 1/4" nyloc nuts. Place two 1/4" flat washers in between the two parts.



- Repeat 3 more times in the locations shown below.
- Snug tighten, but allow movement until installation into the vehicle is complete.



Follow the corresponding vehicle wing kit instructions to finish installation.