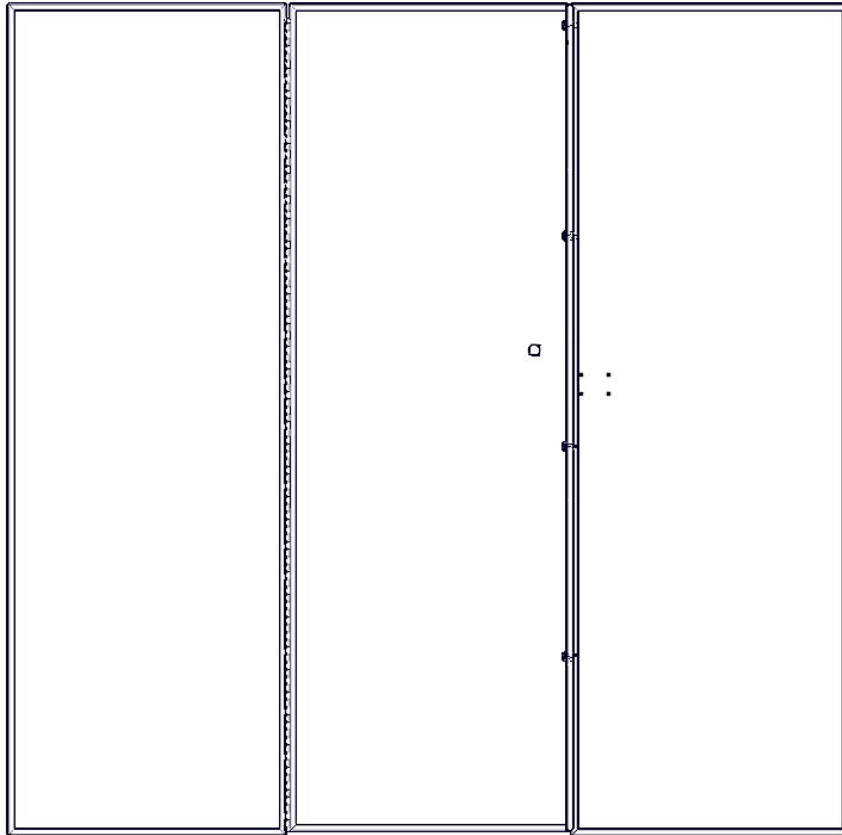

Holman

Assembly Guide

40652



Holman
Rancho Cordova, CA 95742
800-343-7486
InstallationSupport@Holman.com

PLEASE READ ALL INSTRUCTIONS AND WARNINGS PRIOR TO ASSEMBLING, INSTALLING, AND USING THIS PRODUCT

Warning



Always check for wires, fuel tanks and lines, brake lines and other important vehicle functionality items prior to drilling and installing all products.

Tools Needed

3/8" Wrench and Socket	7/16" Wrench and Socket
------------------------	-------------------------

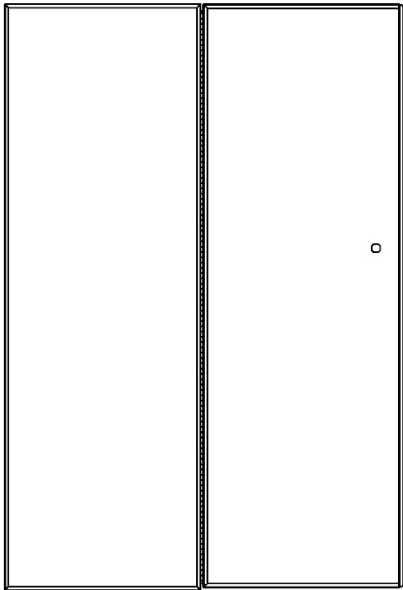
Table of Contents

Parts List	1
Hardware List	2
Step 1 – Bolt Together	3

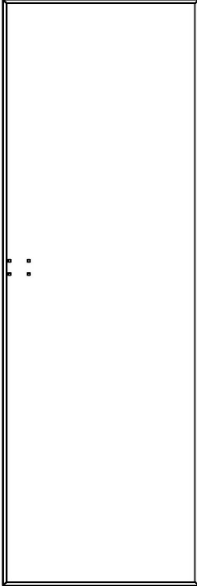
Before You Begin

- Read all instructions.

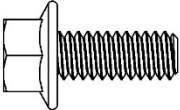

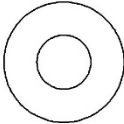
Parts

ITEM NO.	40652 PARTS	DESCRIPTION	QTY.
A		Partition Door Assy.	1

Parts (Continued)

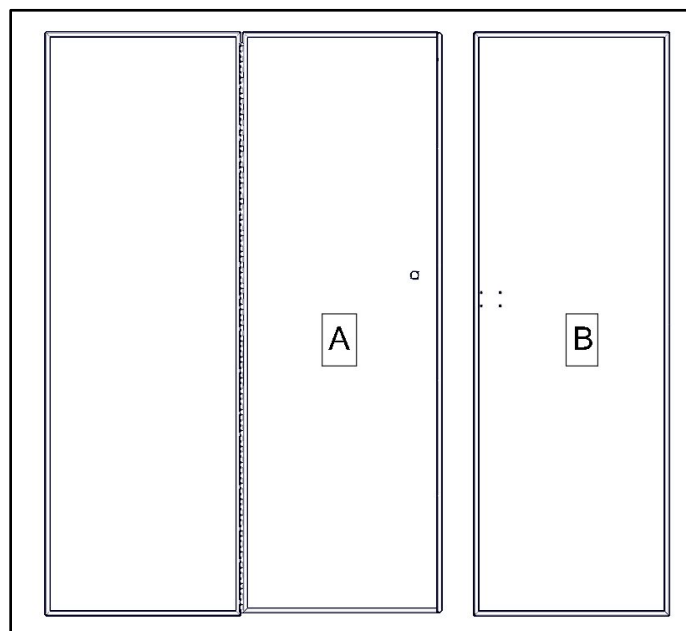
ITEM NO.	40652 PARTS	DESCRIPTION	QTY.
B		Passenger Side Panel	1
		Hardware Kit	1

Hardware

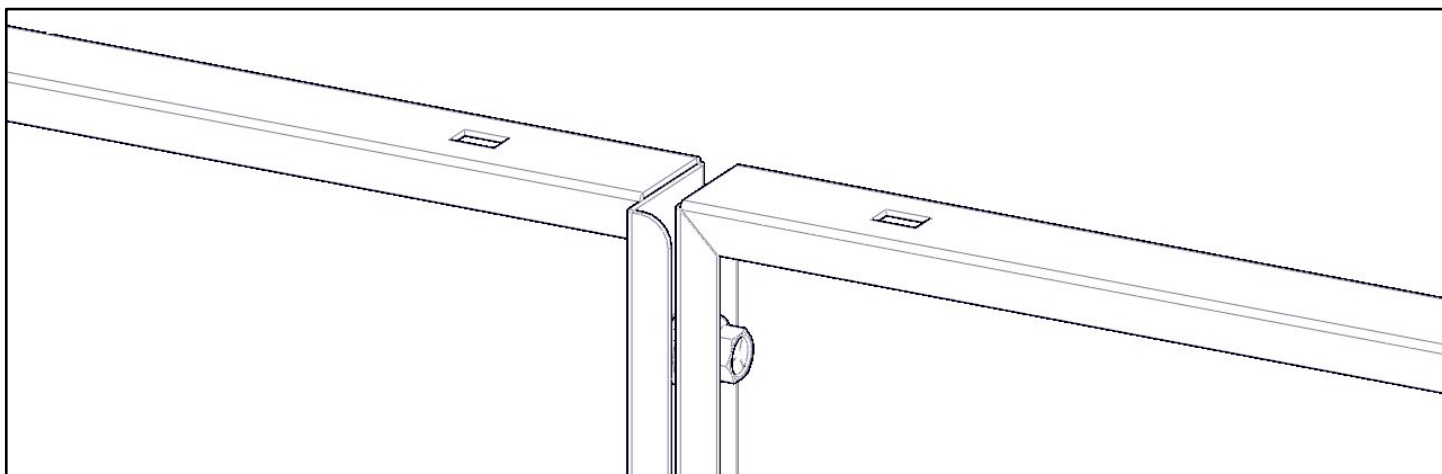
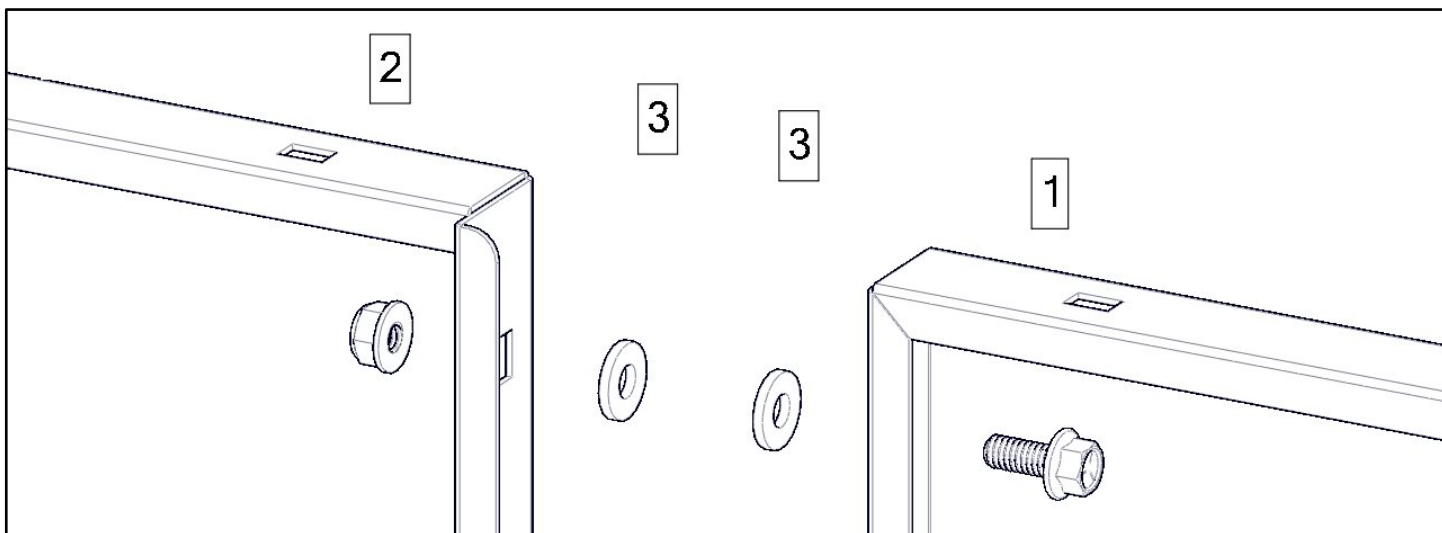
ITEM	HARDWARE TO SCALE	PART NUMBER	DESCRIPTION	QTY.
1		11106180	1/4"-20 X 5/8" FLANGED HEX HEAD	4
2			1/4-20 FLANGED NYLON INSERT NUT	4
3		11541082	1/4" FLAT WASHER	8

Step 1 – Bolt Together

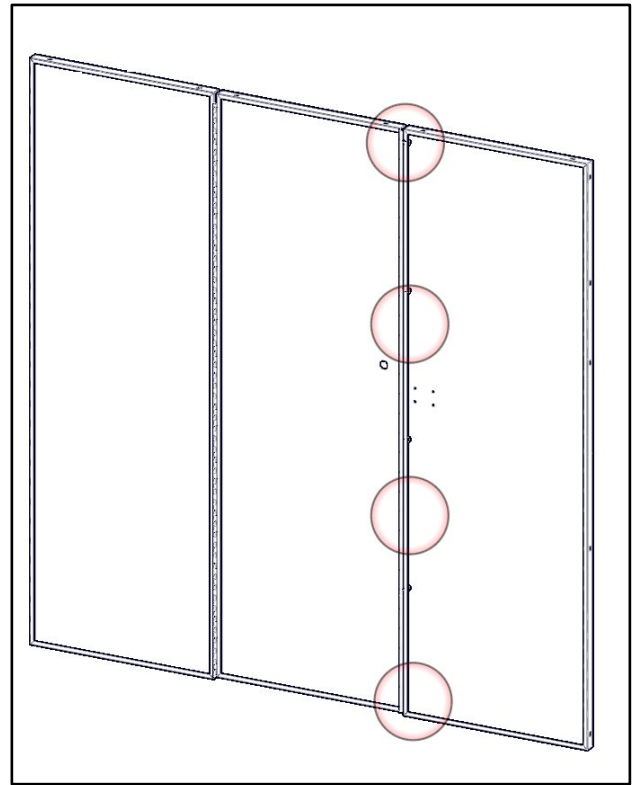
- Place both pieces (A&B) flat on the ground or table. Be sure to have the flanges facing upward so you can access the bolt holes.



- Bolt together using a 1/4"-20 x .625" flanged hex bolt and a 1/4"-20 flanged lock nut.
- If installing the Center Panel Latch & Door Lock Kit (40620), be sure to put two flat washers in between the two panels. This is used to get correct spacing.
- If no door kit is being used the washers (3) are not needed.



- Repeat 3 more times as shown. Be sure to insert the washers between the panels if needed.
- Some like to leave bolts snug tight to allow movement until partition is installed into vehicle.



Follow instructions of desired wing kit to install into vehicle.