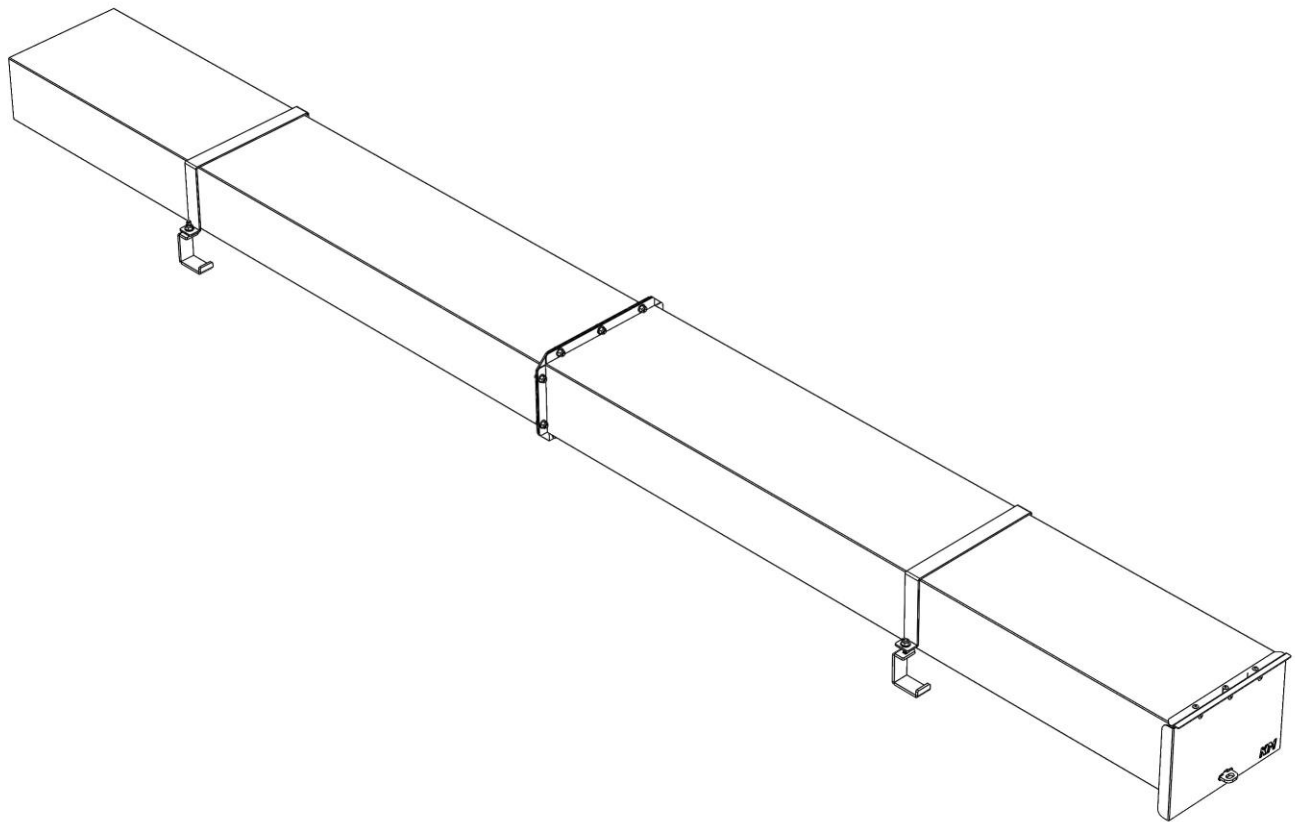




WE PUT EVERYTHING WITHIN REACH.

Instruction Guide

40237



Kargo Master
Rancho Cordova, CA 95742
800-343-7486
CustomerService@KargoMaster.com

PLEASE READ ALL INSTRUCTIONS AND WARNINGS PRIOR TO ASSEMBLING, INSTALLING, AND USING THIS PRODUCT.

Warning



ALWAYS CLOSE, SECURE, AND LOCK CONDUIT CARRIER DOOR BEFORE MOVING OR DRIVING VEHICLE.



DO NOT EXCEED MANUFACTURERS WEIGHT CAPACITY FOR ROOF.

Tools Needed

7/16" Wrench and Socket	1/2" Wrench and Socket
-------------------------	------------------------

Table of Contents

Parts List..... 2

Hardware 2

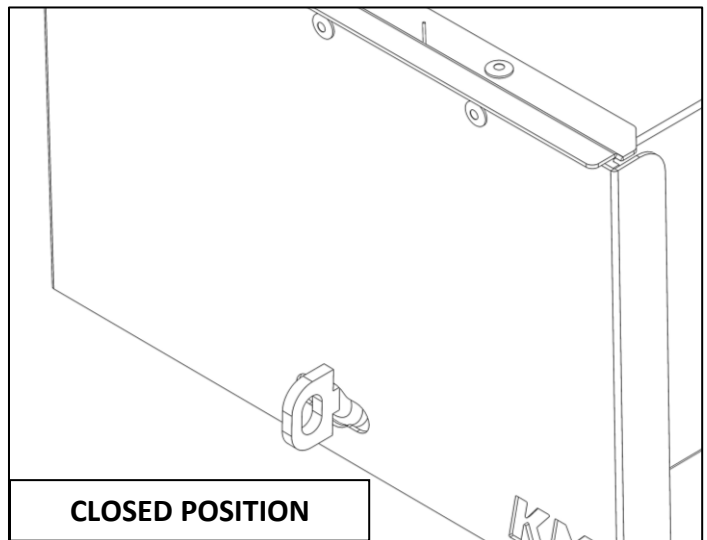
Step 1 – Assemble Conduit Carrier Tubes..... 3

Step 2A – Install to Van Rack 4

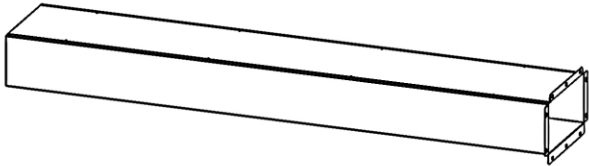
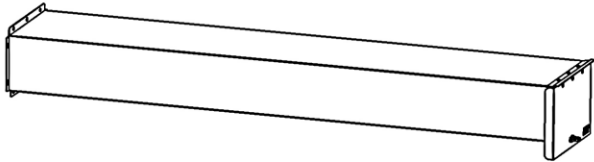



Step 2B – Install to Crossbar Rack..... 4

Before You Begin

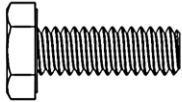
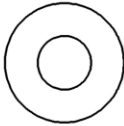

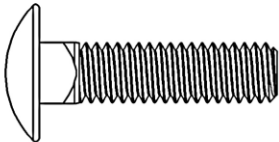
- Read ALL instructions prior to installing any Kargo Master product.
- **Always CLOSE AND LOCK conduit carrier door before moving vehicle or transporting loads.**




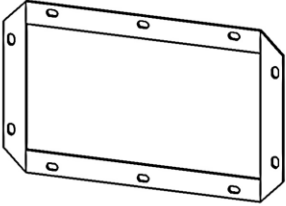
Parts List

ITEM NO.	ITEM	PART NUMBER	DESCRIPTION	QTY.
1		100740	CONDUIT CARRIER FORWARD ASSEMBLY	1
2		100517	CONDUIT CARRIER REAR ASSEMBLY	1
3		40237-00-005	FRONT MOUNTING BRACKET	1
4		40237-00-001	REAR MOUNTING BRACKET	1
5		40237-00-002	CONDUIT CARRIER MOUNTING HOOK	4
6		100523	CONDUIT CARRIER HARDWARE KIT	1

Hardware

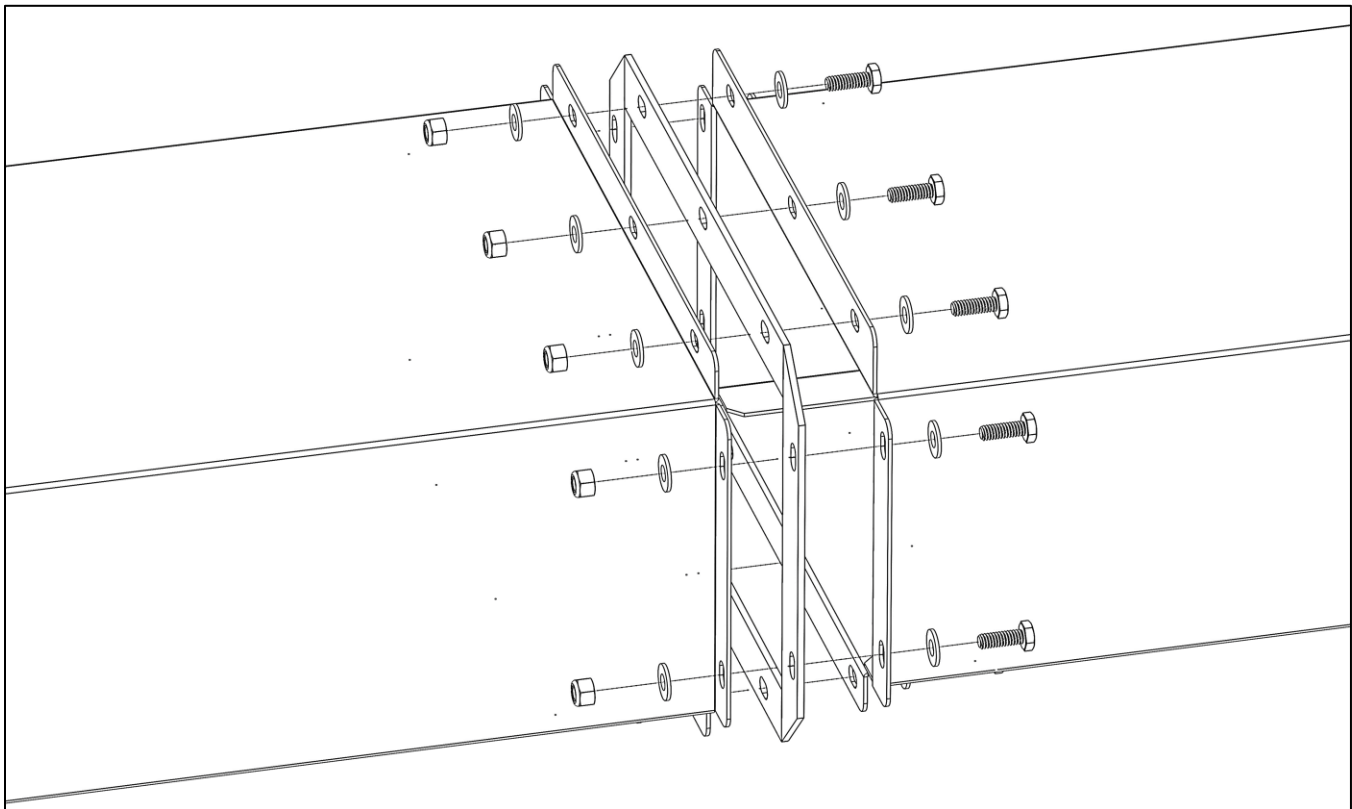
ITEM	HARDWARE TO SCALE	PART NUMBER	DESCRIPTION	QTY.
1		11241164	1/4"-20 X 3/4" HEAD HEAD BOLT	10
2		11541082	1/4 Flat Washer	20
3		0169789	1/4-20 Nyloc Nut	10
4		11137256	5/16"-18 X 1-1/4" CARRIAGE BOLT	4

Hardware (Continued)

ITEM	HARDWARE TO SCALE	PART NUMBER	DESCRIPTION	QTY.
5		11104019	5/16-18 FLANGED NYLOCK NUT	4
6			CONDUIT CARRIER SEAL	1

Step 1 – Assemble Conduit Carrier Tubes

- Set the forward half of the conduit carrier close to the rear half of the conduit carrier.
- Insert the foam seal between the front half and rear halves of the conduit carrier. Be sure to align the holes in foam seal with holes in front and back conduit carrier.
- For each of the ten holes, use a 1/4" x 3/4" hex head bolts, two 1/4" flat washers, and a 1/4" lock nut to bolt the front half and rear half together. Be sure front and back sections are square and straight to each other.
- Tighten hardware.

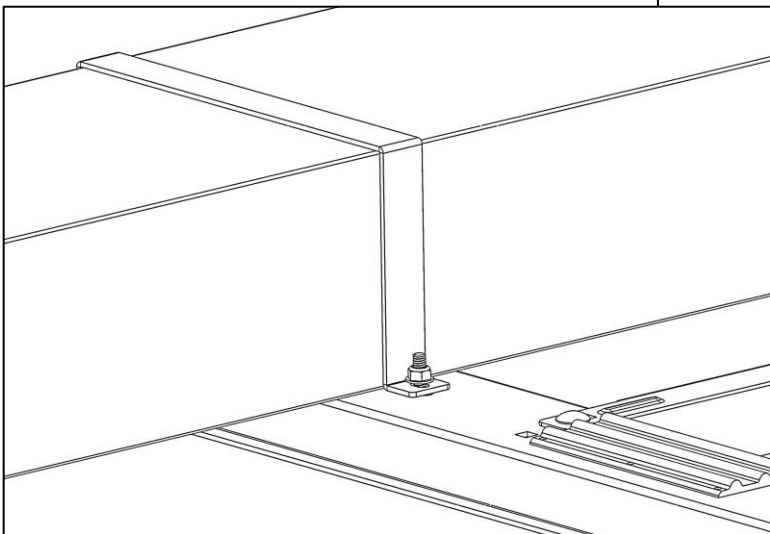
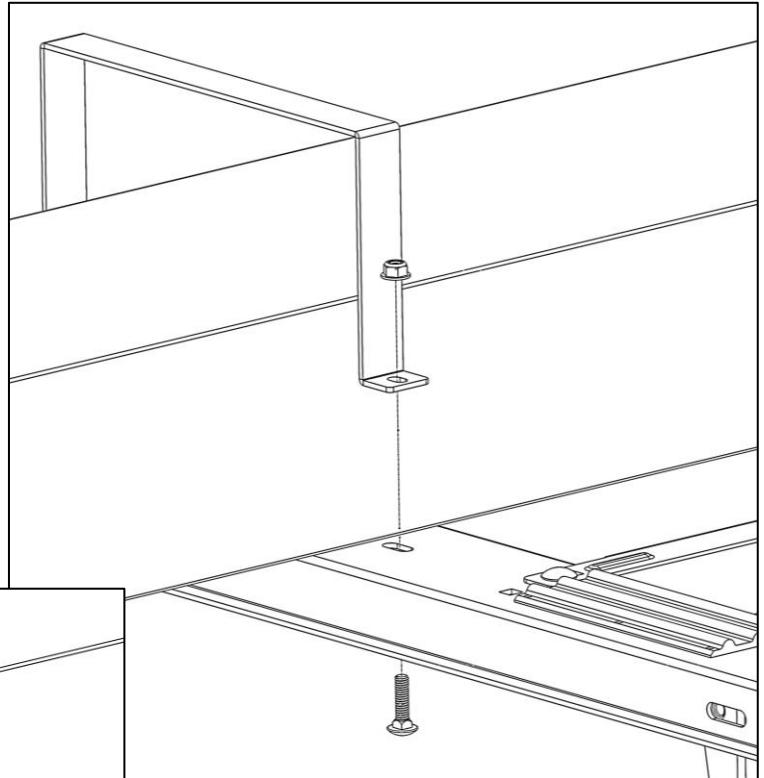


Step 2A – Install to Van Rack

The following instructions are for mounting to the bows of a van rack. If mounting to a crossbar rack or other manufacturer's rack, skip to Step 2B.

NOTE: Front mounting bracket is a different size than rear mounting bracket. Be sure you have the correct mounting bracket before bolting to rack.

- Measure the center-to-center distance between the bows.
- Set the mounting brackets over the conduit carrier at the distance measured.
- Insert a 5/16" x 1-1/4" carriage bolt through the bow and the mounting bracket.
- Loosely fasten a 5/16" flanged lock nut to the bolt. DO NOT yet tighten.
- Repeat on opposite side.
- Repeat on other end.
- Square conduit carrier to rack.
- Tighten hardware.



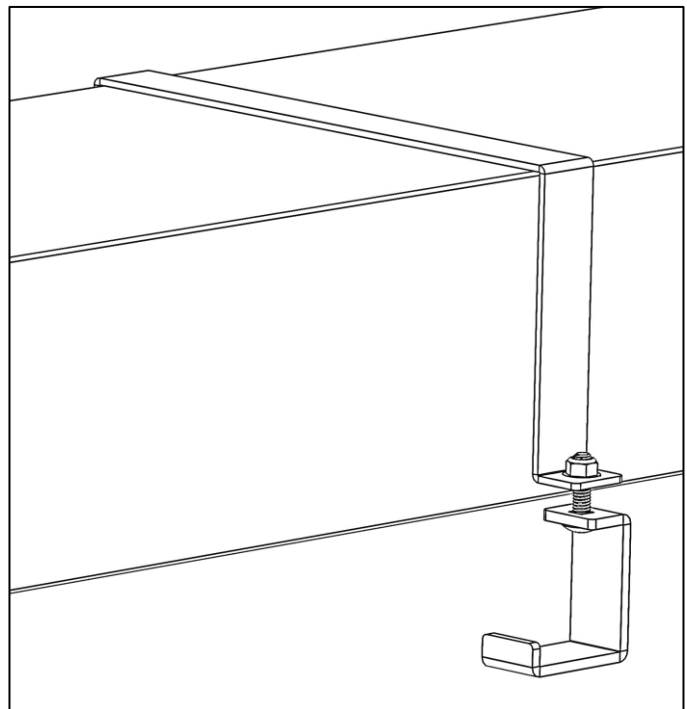
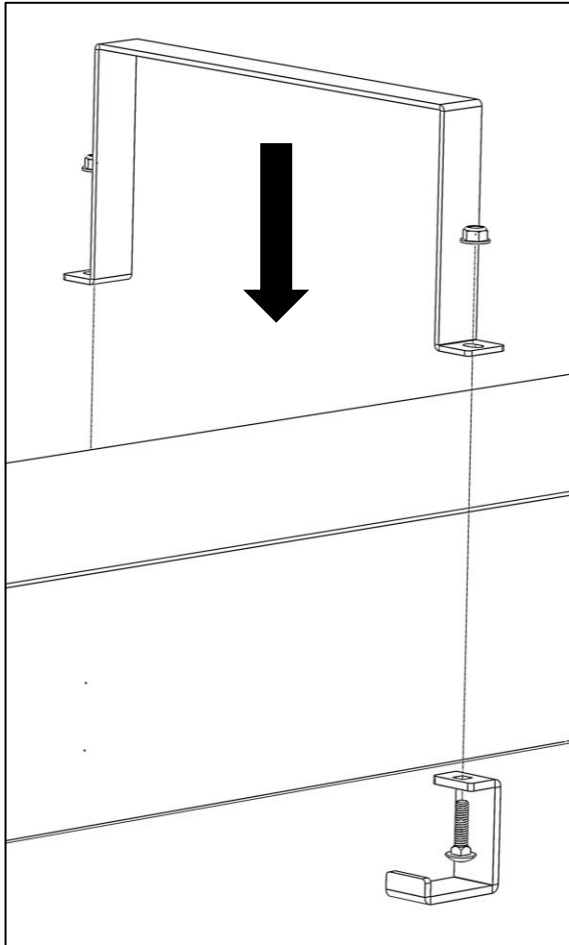
Step 2B – Install to Crossbar Rack

The following instructions are for mounting to a crossbar rack or other manufacturer's rack. If mounting to a Kargo Master Clamp and Lock or Drop Down van rack, use Step 2A.

NOTE: Front mounting bracket is a different size than rear mounting bracket. Be sure you have the correct mounting bracket before bolting to rack.

- Measure the center-to-center distance between the crossbars or bows.
- Set the mounting brackets over the conduit carrier at the distance measured.

- Insert a 5/16" x 1-1/4" carriage bolt through a hook and a flange of a mounting bracket.
- Loosely fasten a 5/16" flanged lock nut to the bolt. DO NOT yet tighten.
- Repeat on opposite side.
- Repeat on other end.
- Place the conduit carrier in position and square to rack. Be sure the hooks are in position beneath the rack crossbars or rack bows.
- Tighten the nuts on the bolts connecting the mounting hooks to the mounting brackets.



Go back and tighten all hardware.

Your installation is complete.