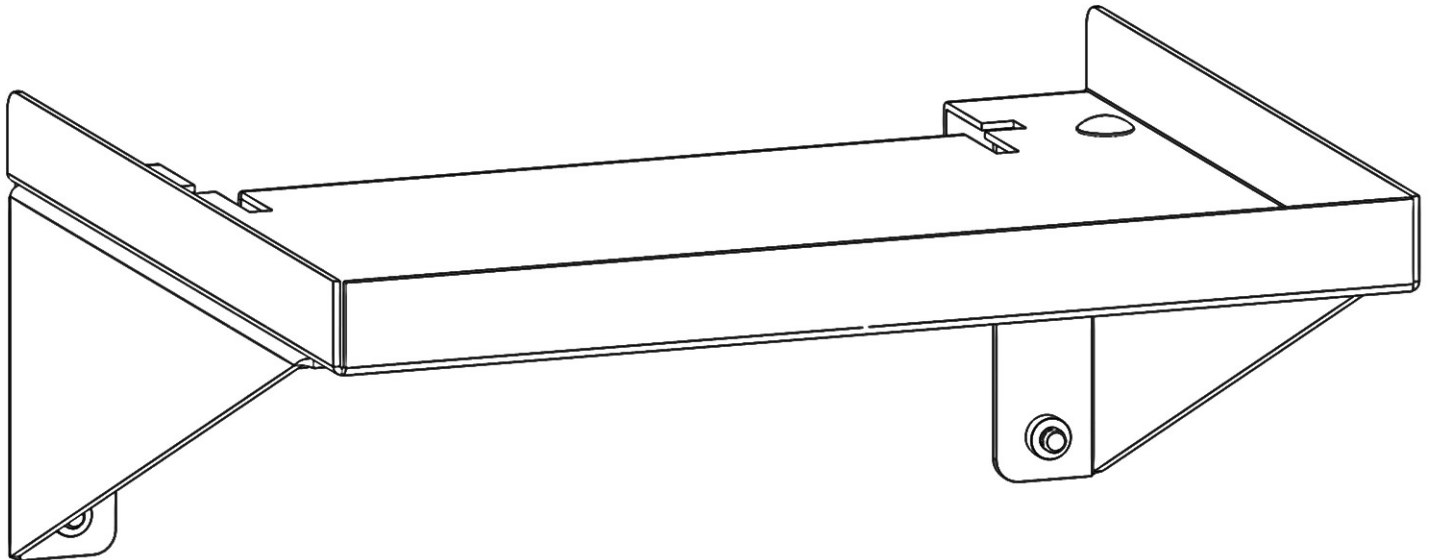


Holman

Instruction Guide 40203



Holman
Rancho Cordova, CA 95742
800-343-7486
InstallationSupport@Holman.com

PLEASE READ ALL INSTRUCTIONS AND WARNINGS PRIOR TO ASSEMBLING, INSTALLING, AND USING THIS PRODUCT.

Warning



Always check for wires, fuel tanks and lines, brake lines and other important vehicle functionality items prior to drilling and installing all products.



BE SURE ALL TANKS OR GAS BOTTLES ARE SECURE BEFORE TRANSPORTING.

Tools Needed

7/16" Socket and Wrench	7/16" Box Wrench
9/32" Drill Bit	Drill

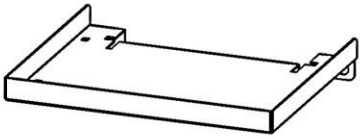
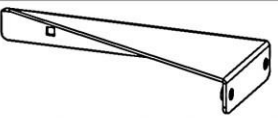

Table of Contents

Parts	2
Hardware	2
Step 1 – Assemble Shelf	3
Step 2 – Install Shelf	3

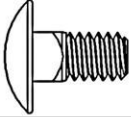

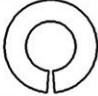
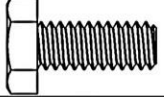
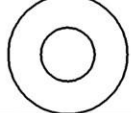
Before You Begin

- Read all instructions prior to assembling or installing any Holman product.
- **Always locate your installation locations prior to performing any work.**
- **Be sure to have adjustable bottle restraint installed prior to installing shelf.**
- **ENSURE SAFETY WHILE INSTALLING OR DRILLING INTO VEHICLE.**

Parts

NO.	ITEM	PART NUMBER	DESCRIPTION	QTY.
1		100746	SHELF	1
2		100747	GUSSET	1
3		MIRROR100747	MIRROR GUSSET	1
4		18-40203	HARDWARE KIT	1

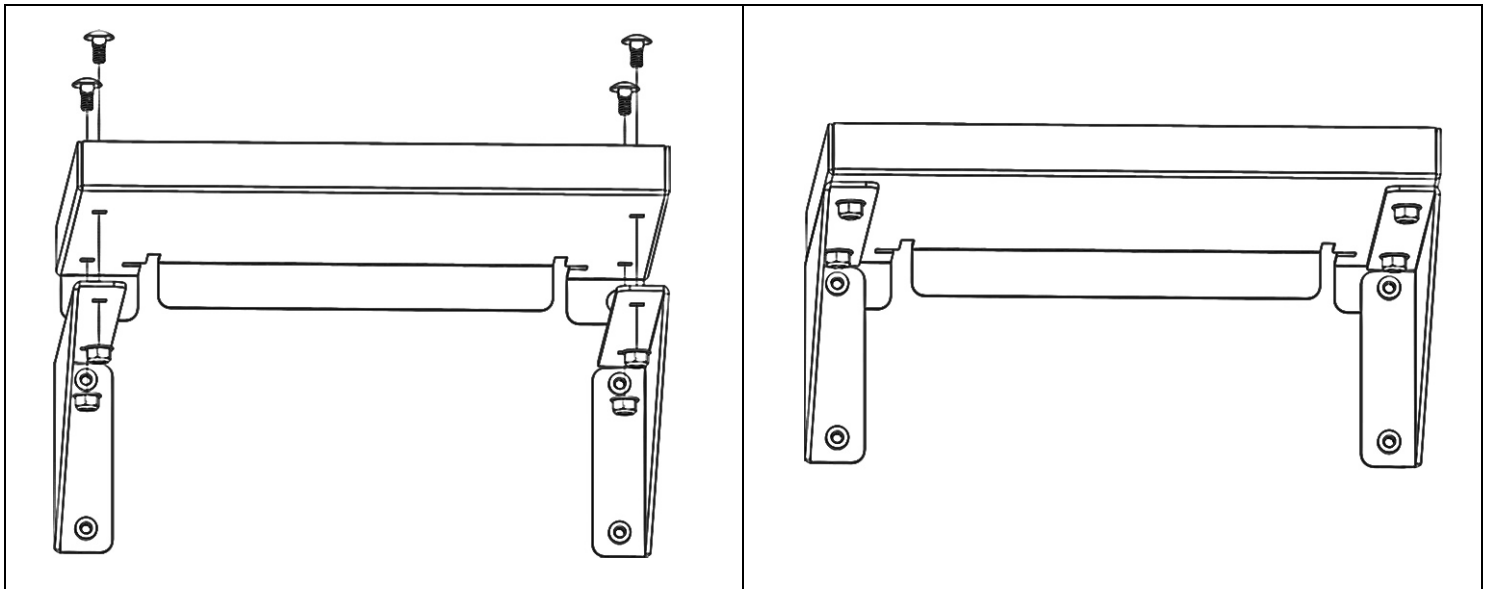
Hardware

ITEM	HARDWARE TO SCALE	PART NUMBER	DESCRIPTION	QTY.
1		0158942	1/4"-20 x 1/2" CARRIAGE BOLT	4
2		0167030	1/4"-20 FLANGED LOCK NUT	4
3		33618	1/4" LOCK WASHER	4
4		13002	1/4-20 X 5/8 HEX HEAD BOLT	4
5		33078	1/4" FLAT WASHER	4

DO NOT EXCEED MANUFACTURERS WEIGHT CAPACITY FOR ROOF.

Step 1 – Assemble Shelf

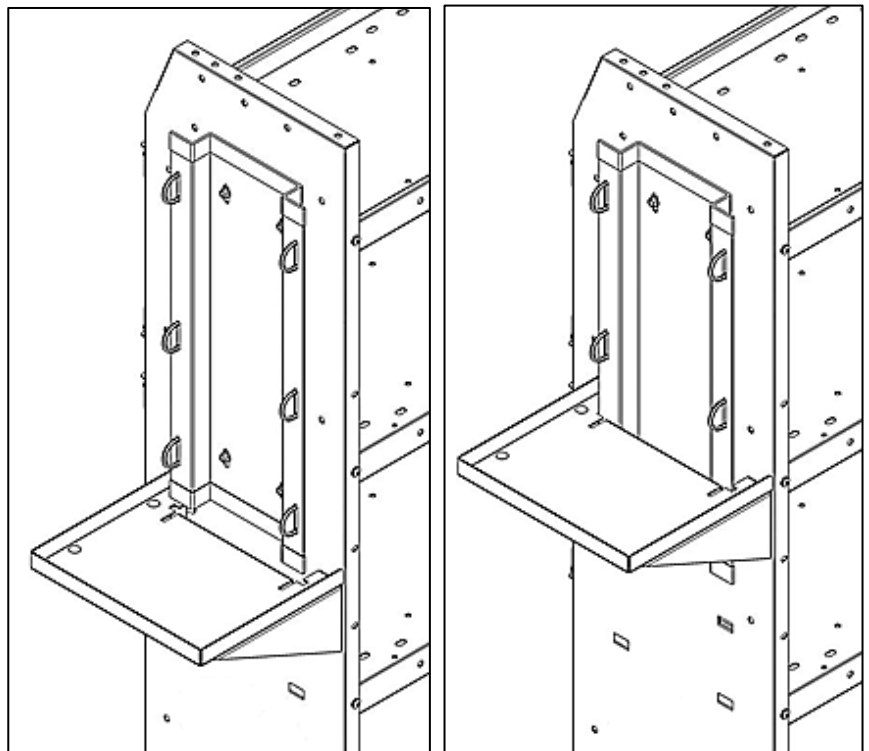
- Using four 1/4" x 1/2" carriage bolts and four 1/4" flanged lock nuts, attach shelf to gussets. **Be sure the flanges on gussets are directed inward.**
- Tighten but allow movement.



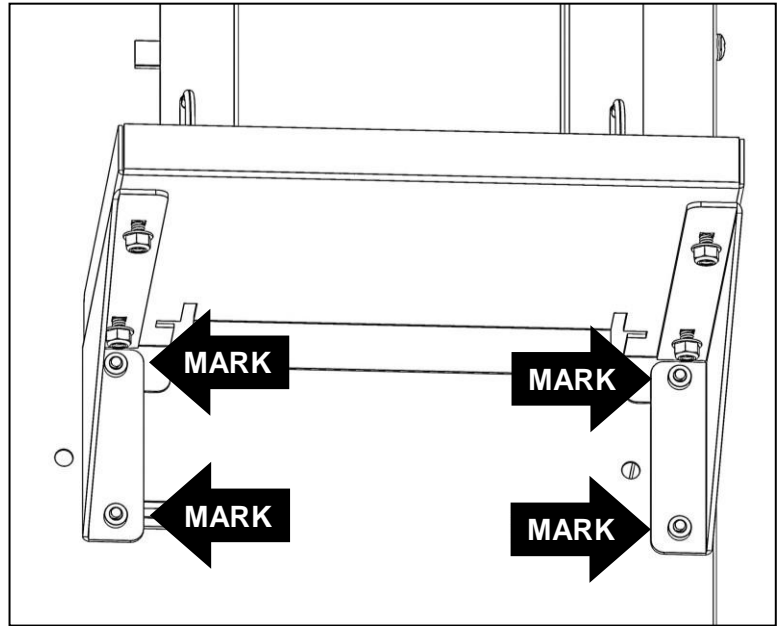
Step 2 – Install Shelf

- Place shelf against installation surface. Be sure shelf is aligned and square to the bottle restraint bracket.
- The shelf can be installed at any position on bottle restraint. **Be sure shelf is in correct location and bottle is able to be properly secured prior to drilling through installation surface.**

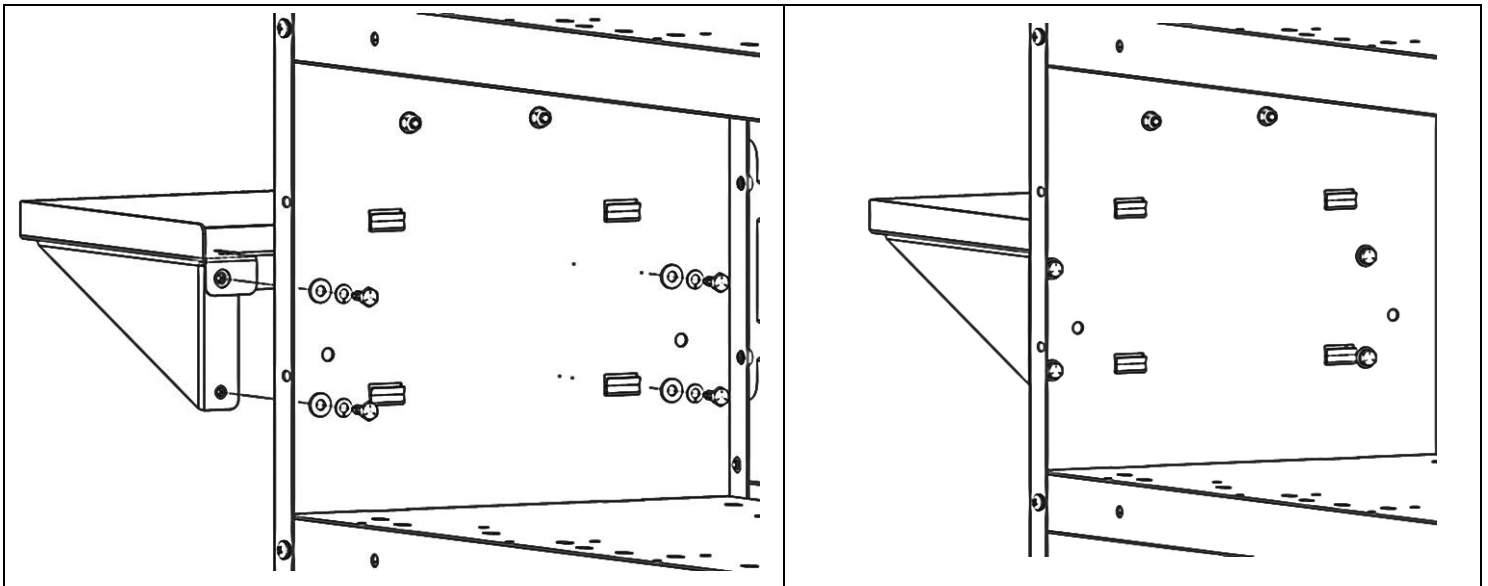
Bottle restraint shown here without securing straps for clarity.



- Mark on installation surface the location of the holes in the gussets.
- Using a 9/32" drill bit, drill through the installation surface.



- Using four 1/4" x 5/8" hex bolts, four 1/4" lock washers, and four 1/4" flat washers, bolt through installation surface into press nuts on gussets.
- Tighten all hardware.



GO BACK AND TIGHTEN ALL HARDWARE.

INSTALLATION AND ASSEMBLY ARE COMPLETE.