

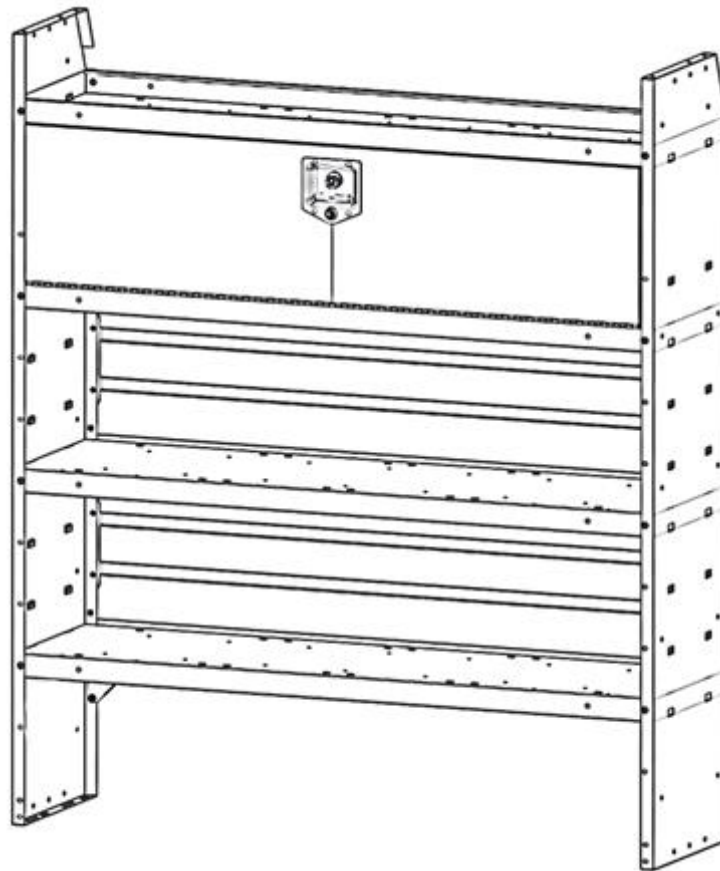
---

# Holman

---

## Assembly Guide 40040

---



---

Holman  
Rancho Cordova, CA 95742  
800-343-7486  
InstallationSupport@Holman.com

---

---

**\* PLEASE READ ALL INSTRUCTIONS AND WARNINGS PRIOR TO ASSEMBLING, INSTALLING, AND USING THIS PRODUCT. \***

---

## **Warning**



Always check for wires, fuel tanks and lines, brake lines and other important vehicle functionality items prior to drilling and installing all products.

---

## **Tools Needed**

7/16 Wrench and Socket	#2 Phillips driver
------------------------	--------------------

---

## **Table of Contents**

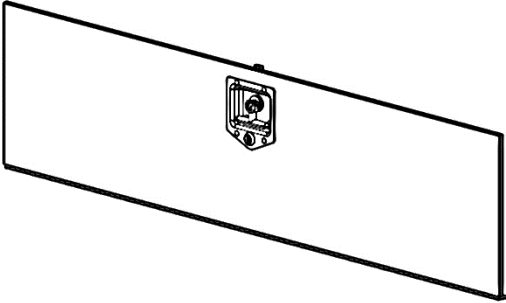
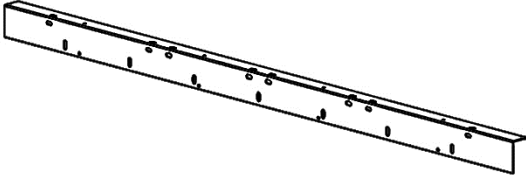
Parts .....	2
Hardware .....	2
Step 1 – Determine Location of Door Kit .....	3
Step 2 – Bolt Door to Shelf Below .....	3
Step 3 – Determine Locking Door Stop Orientation .....	4
Step 4 – Attach Locking Door Stop to Shelf Above.....	4

---

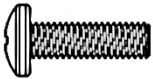
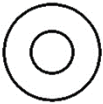

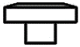
## **Before You Begin**

- Be sure to have 52” shelf assembled.

## Parts

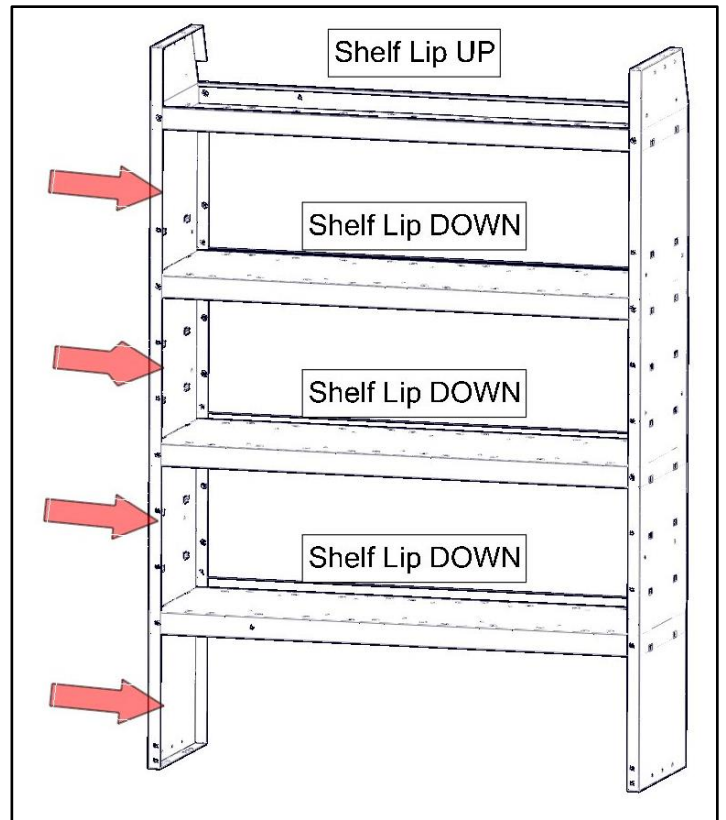
ITEM NO.		PART NUMBER	DESCRIPTION	QTY.
A		40040-10-R1	52" Door Kit Door Assembly	1
B		40040-00-001	52" Door Lock Stop	1
		18-40040	40040 Hardware Kit	1

## Hardware

ITEM NO.	Hardware To Scale	DESCRIPTION	QTY.
1		10-32 x .625 PH Phillips Drive	12
2		10 Flat Washer	12
3		10-32 Flanged Nyloc Nut	12
4		.156 x .375 bumper	4

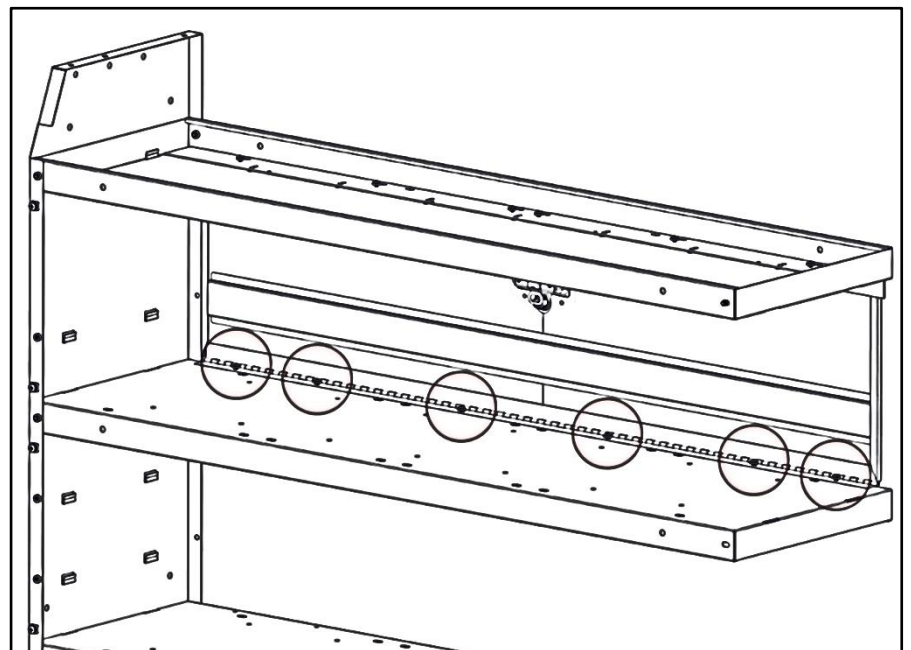
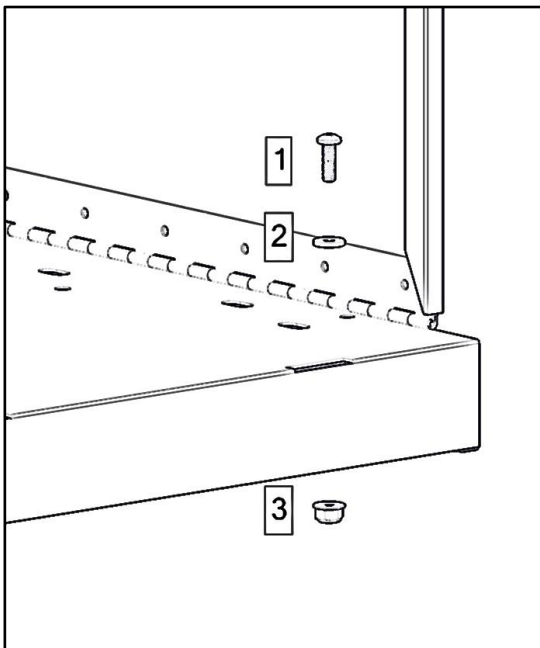
## Step 1 – Determine Location Of Door Kit

- Decide where you want the door kit to be installed. Be sure there is the correct spacing between shelves. The bottom shelf of the desired opening must have the shelf lip facing downward.
- Bottom position can only be used with the purchase of optional shelf lip (48230).
- Standard shelf placing and orientation shown.



## Step 2 – Bolt Door to Shelf Below

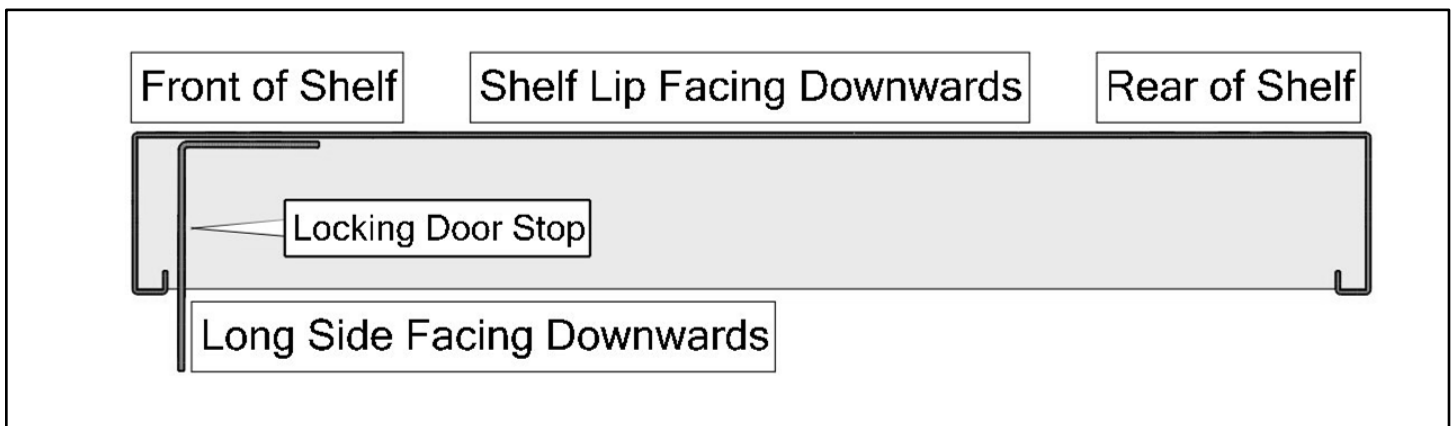
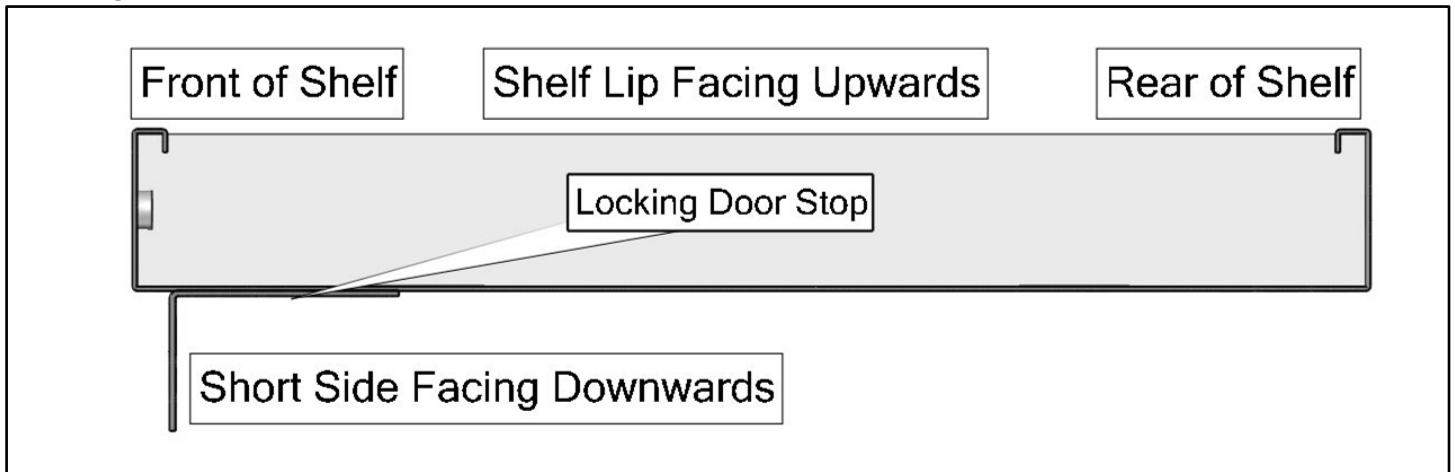
- Bolt door kit to flat space on shelf using a #10 x 5/8" machine screw, a #10 flat washer and a #10 flanged lock nut.
- Repeat 3 more times along shelf and door kit assembly.
- Be sure when the door kit is folded up, it sits flush with the outside of the shelf.
- Snug tighten but allow movement.



## **Step 3 – Determine Locking Door Stop Orientation**

- Locate the shelf that is directly above the shelf used in the previous step.
- Determine if it is an upward or downward facing shelf lip. This will determine orientation of door stop.

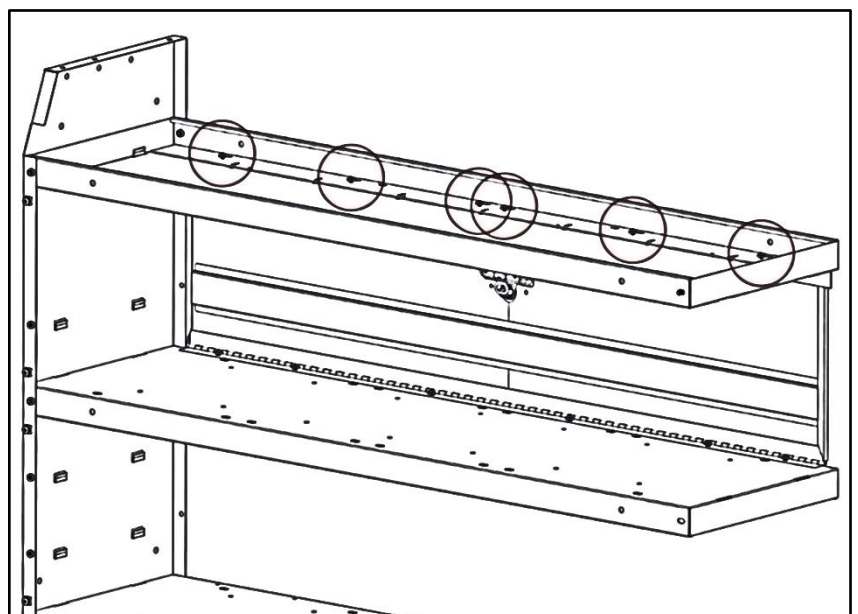
### **Facing Upwards**



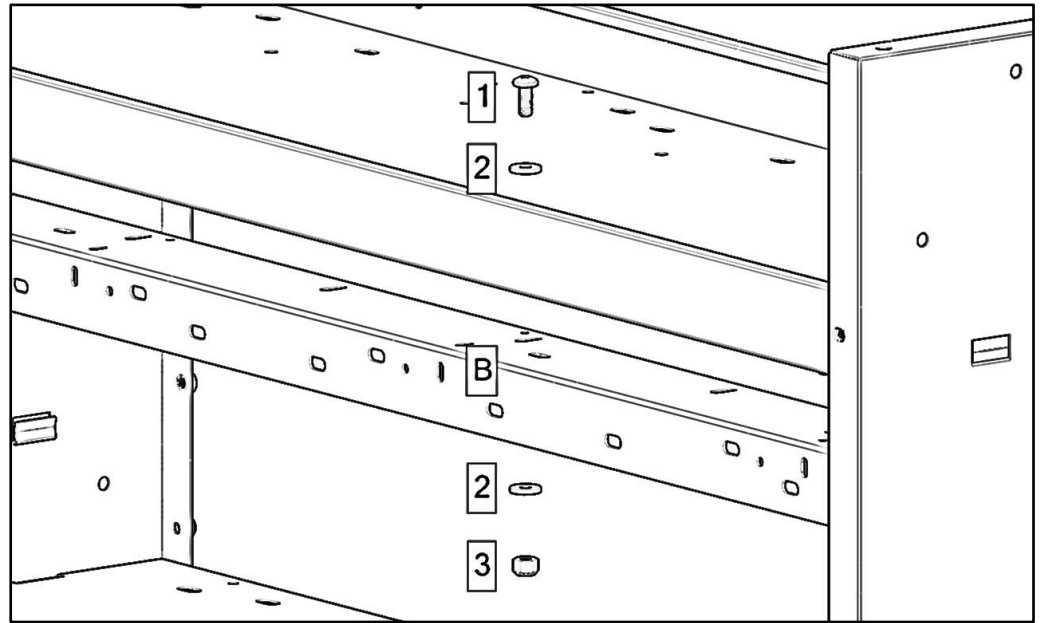
### **Facing Downwards**

## **Step 4 – Attach Locking Door Stop to Shelf Above**

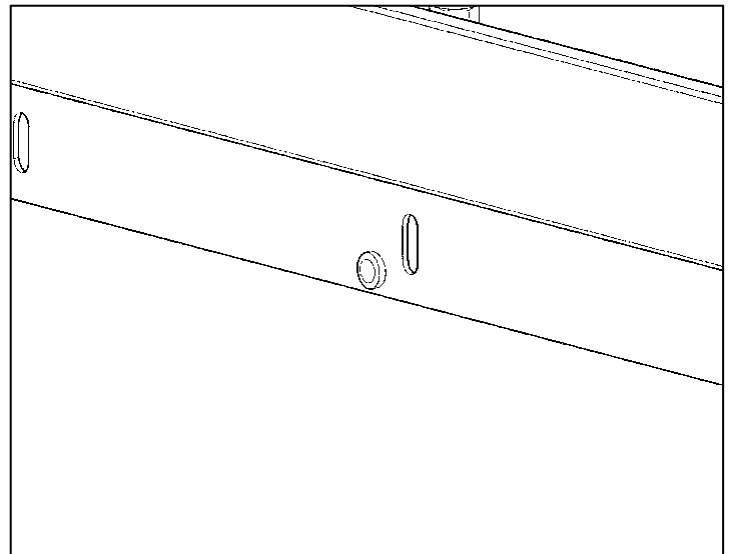
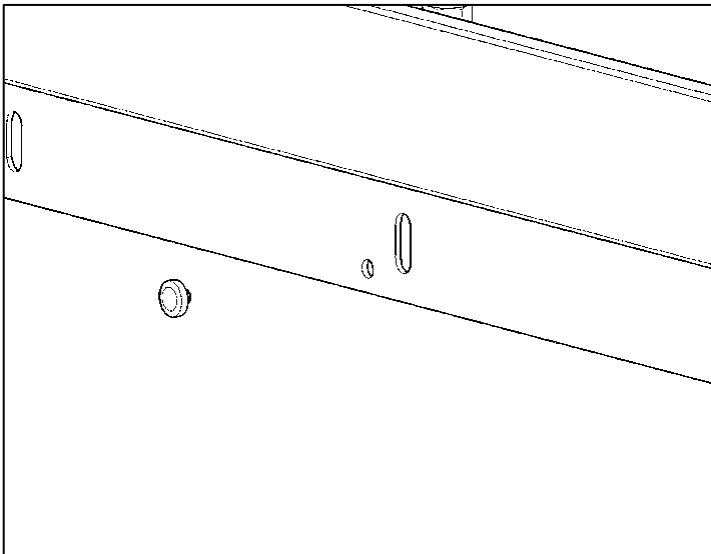
- Bolt shelf lip using using a #10 x 5/8" machine screw, two #10 flat washers and a #10 flanged lock nut.



- Repeat 5 more times along shelf and locking door stop.



- Insert rubber bumpers where they will encounter the door.



**TIGHTEN ALL PREVIOUS BOLTS.**

**YOUR INSTALLATION IS NOW COMPLETE.**

