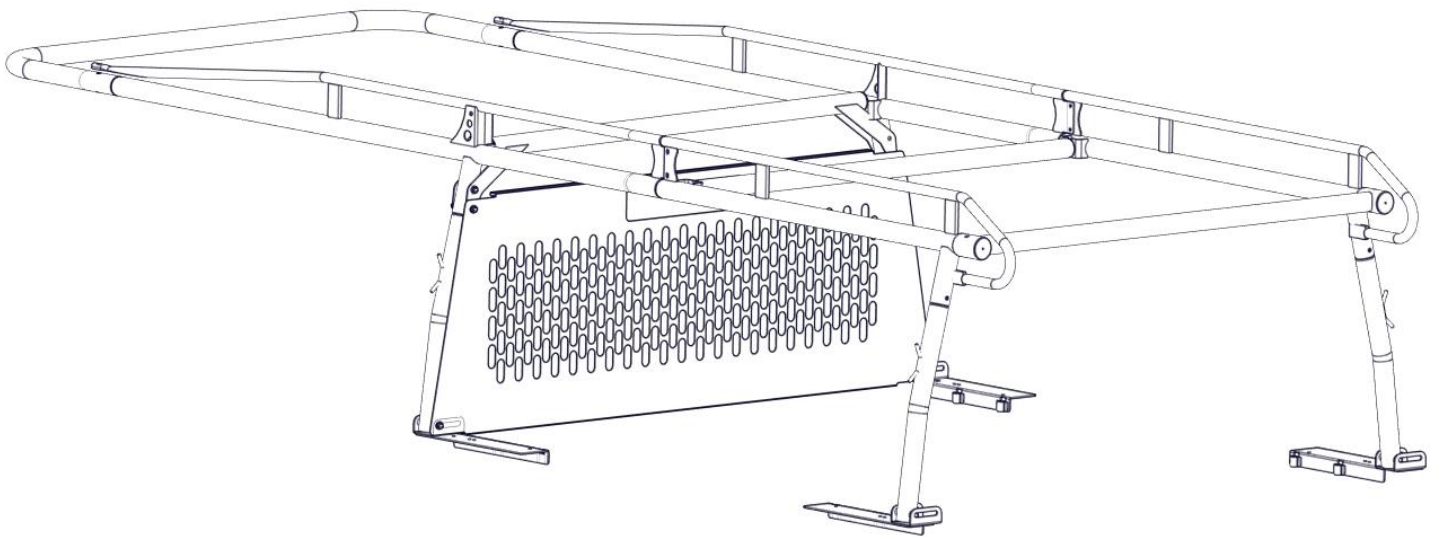




WE PUT EVERYTHING WITHIN REACH.

Installation Guide

3108SD



Kargo Master
Rancho Cordova, CA 95742
800-343-7486
CustomerService@KargoMaster.com

DATE: _____

***PLEASE READ ALL INSTRUCTIONS AND WARNINGS PRIOR TO ASSEMBLING,
INSTALLING, AND USING THIS PRODUCT***

Warning



Always check for wires, fuel tanks and lines, brake lines and other important vehicle functionality items prior to drilling and installing all products.

Tools Needed

9/16" Wrench and Socket	

Table of Contents

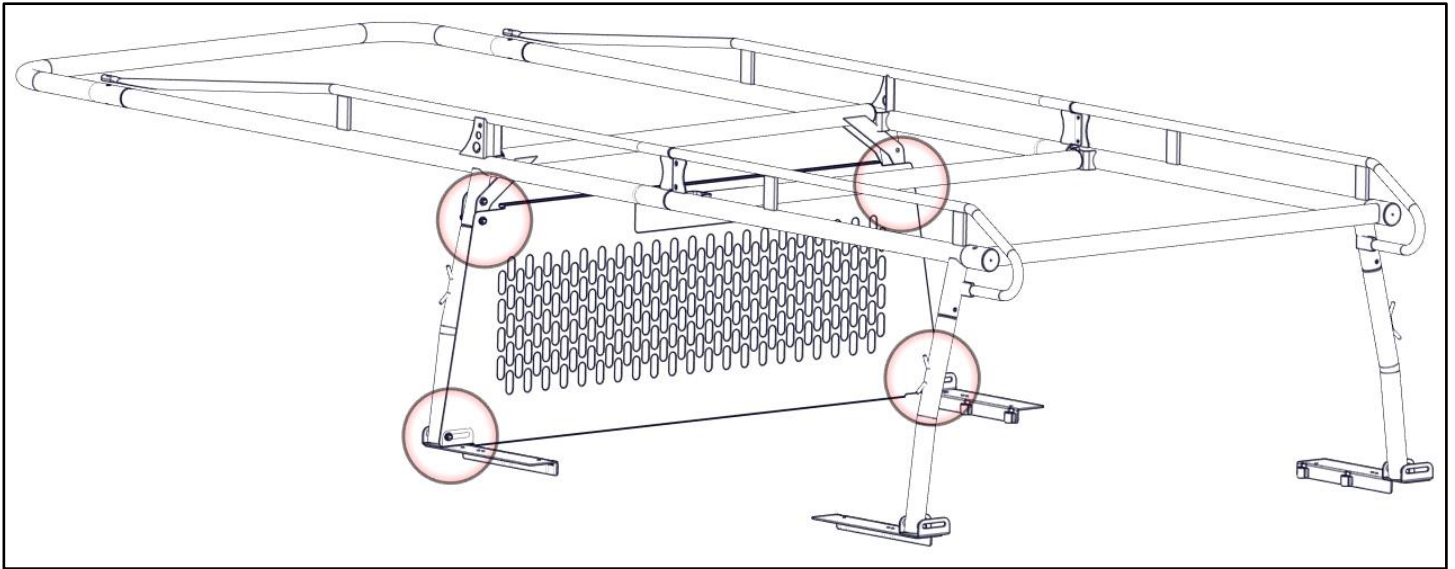
Step 1 Attach 3

Before You Begin

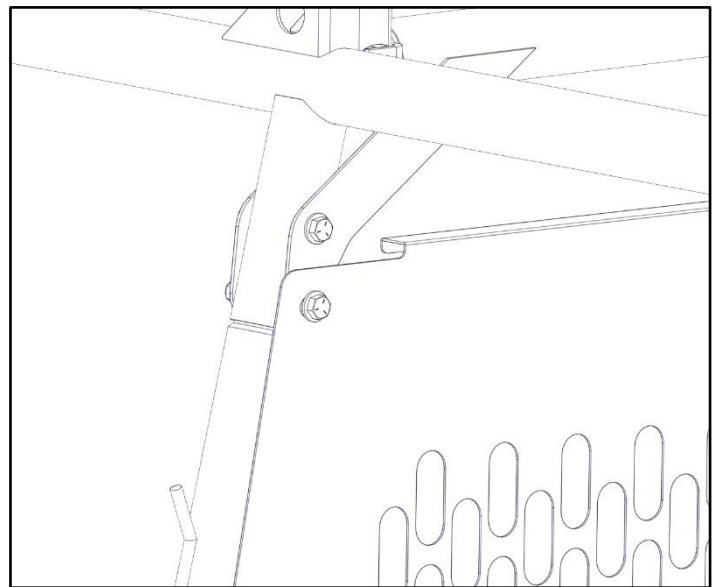
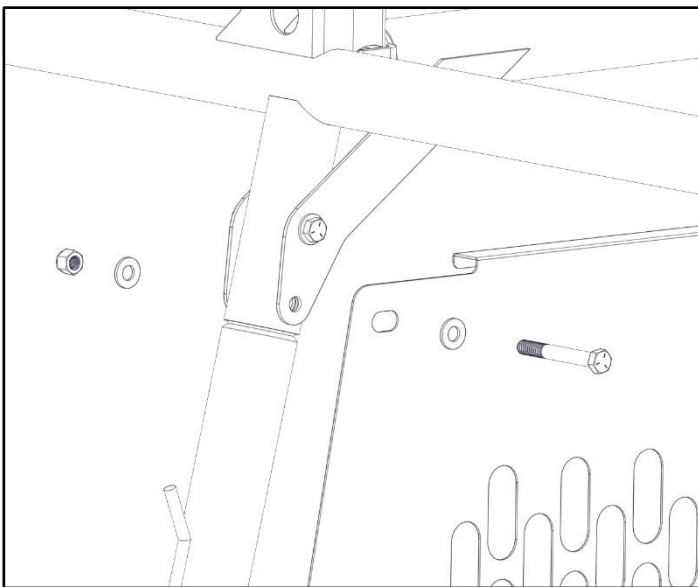
- Read all instructions.

Step 1 – Attach

- Find 4 locations shown below on ladder rack directly behind the cab of the truck.



- Remove four bolts from legs on ladder rack.
- Place cab guard in place.
- Replace bolts from initial location. Tighten.



Ensure all bolts are tight. Your Installation is now complete.