

Covered Service Body Rack Measure and Fit Guide



Holman | Rancho Cordova, CA 95742

InstallationSupport@Holman.com

PLEASE READ ALL INSTRUCTIONS AND WARNINGS PRIOR TO ASSEMBLING, INSTALLING, AND USING ANY PRODUCT.

WARNING



Always check for wires, fuel tanks and lines, brake lines and other important vehicle functionality items prior to drilling and installing all products.



DO NOT Exceed Manufacturer's Weight Capacity for roof.

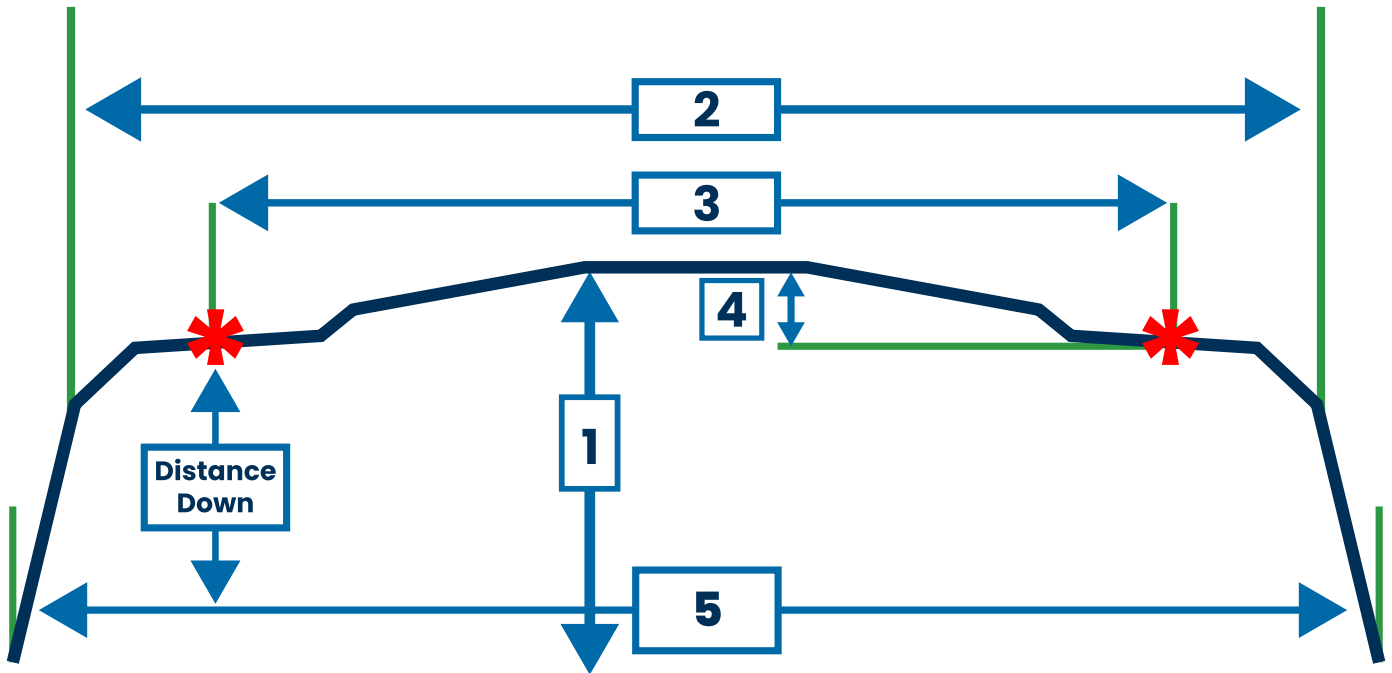
Tools Needed

Tape Measure | Ladder

Before You Begin

- Always determine your installation locations prior to performing any work.
- ENSURE SAFETY WHILE INSTALLING OR DRILLING INTO VEHICLE.
- Be sure to put sealant around all threads entering cargo area and between the rubber spacer and roof of vehicle to prevent water from leaking into cargo area.

For Technical Support Call: **800-343-7486**, Monday-Friday, 7AM - 4 PM (PST)



RECORD MEASUREMENT HERE	Refer to diagram above for measurement reference.												
1 =	<ul style="list-style-type: none"> Measure side-to-side width of inside of raised roof section. Compare measured height to range values below to determine whether covered service body is low-, mid-, or high-roof height class. <table border="1" style="margin-left: auto; margin-right: auto;"> <thead> <tr> <th style="text-align: center;">Height of Service Body</th> <th style="text-align: center;">Height Class</th> </tr> </thead> <tbody> <tr> <td style="text-align: center;">< 85"</td> <td style="text-align: center;">Low-Roof</td> </tr> <tr> <td style="text-align: center;">85" - 95"</td> <td style="text-align: center;">Mid-Roof</td> </tr> <tr> <td style="text-align: center;">> 95"</td> <td style="text-align: center;">High-Roof</td> </tr> </tbody> </table>	Height of Service Body	Height Class	< 85"	Low-Roof	85" - 95"	Mid-Roof	> 95"	High-Roof				
Height of Service Body	Height Class												
< 85"	Low-Roof												
85" - 95"	Mid-Roof												
> 95"	High-Roof												
2 =	<ul style="list-style-type: none"> Measure side-to-side width at upper outer corners of service body. Based on whether the height is a low-, mid-, or high-roof, compare measurement to values below to determine width class. Refer to dimension C in diagrams below for visual aid. <table border="1" style="margin-left: auto; margin-right: auto;"> <thead> <tr> <th style="text-align: center;">Height Class</th> <th style="text-align: center;">Max Body Width at Mounting Reference Diagram Dimension C</th> <th style="text-align: center;">Width Class</th> </tr> </thead> <tbody> <tr> <td style="text-align: center;">Low- or Mid-Roof</td> <td style="text-align: center;">< 72-3/4"</td> <td style="text-align: center;">Narrow Body</td> </tr> <tr> <td style="text-align: center;">Low-, Mid-, or High-Roof</td> <td style="text-align: center;">72-3/4" - 85"</td> <td style="text-align: center;">Wide Body</td> </tr> <tr> <td style="text-align: center;">High-Roof</td> <td style="text-align: center;">< 70-3/4"</td> <td style="text-align: center;">Narrow Roof</td> </tr> </tbody> </table>	Height Class	Max Body Width at Mounting Reference Diagram Dimension C	Width Class	Low- or Mid-Roof	< 72-3/4"	Narrow Body	Low-, Mid-, or High-Roof	72-3/4" - 85"	Wide Body	High-Roof	< 70-3/4"	Narrow Roof
Height Class	Max Body Width at Mounting Reference Diagram Dimension C	Width Class											
Low- or Mid-Roof	< 72-3/4"	Narrow Body											
Low-, Mid-, or High-Roof	72-3/4" - 85"	Wide Body											
High-Roof	< 70-3/4"	Narrow Roof											
	<ul style="list-style-type: none"> Referring to Table A below, based upon the height and width classes determined above and desired material of rack, determine the applicable MIN-MAX Range of Hole-to-Hole Mounting Width of Feet. Refer to dimensions A and B in diagrams below for visual aid. <p>NOTE: Only when absolutely necessary, the feet may be mounted to the bow using only 2 bolts, increasing the MAX Feet Hole-to-Hole Mounting Width by 3". Securing feet using 4 bolts is the recommended mounting. Mount using 2 bolts only when absolutely necessary. Refer to dimension **B-B in diagrams below for visual aid.</p> <ul style="list-style-type: none"> In Table A, check the box at the left of the appropriate rack to keep track. 												

For Technical Support Call: 800-343-7486, Monday-Friday, 7AM - 4 PM (PST)

RECORD MEASUREMENT HERE	Refer to diagram above for measurement reference.						
3 =	<ul style="list-style-type: none"> • Within appropriate MIN-MAX Range of Hole-to-Hole Mounting Width of Feet determined in previous step, locate desired mounting locations (*) on roof. • Record width between selected mounting locations. Keep in mind the width of the mounting feet is 2" and requires at least an additional 1" inside and outside. 						
4 =	<ul style="list-style-type: none"> • Measure and record the height between top of crown to estimated mounting location (*). • Verify measured height difference is less than (<) maximum allowable crown height of 6-1/4". Note that the crossbar rack maximum allowable crown height is 2-1/2". 						
5 =	<ul style="list-style-type: none"> • Based on whether the service body was determined to be a low-, mid-, or high-roof body, measure from the selected mounting location (*) the appropriate Distance Down the Back of the Service Body as indicated in following table. <table border="1" style="margin-left: auto; margin-right: auto;"> <thead> <tr> <th style="text-align: center;">Height Class</th> <th style="text-align: center;">Distance Down Back of Service Body to Measure Width at</th> </tr> </thead> <tbody> <tr> <td style="text-align: center;">Low- or Mid-Roof</td> <td style="text-align: center;">17"</td> </tr> <tr> <td style="text-align: center;">High-Roof</td> <td style="text-align: center;">29"</td> </tr> </tbody> </table> <ul style="list-style-type: none"> • At the distance down, measure and record the width of the service body. • Using Table A below, verify measurement is less than or equal (<=) to the Max Body Width at Bottom of Dropped Pan for the rack you checked off above. Refer to dimension D in diagrams below for visual aid. 	Height Class	Distance Down Back of Service Body to Measure Width at	Low- or Mid-Roof	17"	High-Roof	29"
Height Class	Distance Down Back of Service Body to Measure Width at						
Low- or Mid-Roof	17"						
High-Roof	29"						
	<ul style="list-style-type: none"> • If service body fits all dimensions as determined and recorded here, refer to Tables B or C to determine the appropriate rack for your covered service body. 						

Table A					
Height Class	Width Class	Service Body Material	MIN-MAX Range of Hole-to-Hole Mounting Width Standard Install	MAX Feet Hole-to-Hole Mounting Width 2-bolt Install	MAX Body Width at Bottom of Dropped Pan
			Refer to Diagrams A & B	Refer to Diagrams A & B	Refer to Diagram D
Low- & Mid-Roof	Narrow Body	Steel	54-1/4" - 60-1/8"	**63-1/8"	83"
Low- & Mid-Roof	Narrow Body	Aluminum	54-1/4" - 59-5/8"	**62-5/8"	86"
Low- & Mid-Roof	Wide Body	Steel	67-5/16" - 77-1/2"	**80-1/2"	95-3/16"
High-Roof	Narrow Roof	Steel	53-13/16" - 57-1/2"	**60-1/2"	83"
High-Roof	Narrow Roof	Aluminum	53-13/16" - 59-5/8"	**62-5/8"	81-7/8"
High-Roof	Wide Roof	Steel	68" - 77-1/2"	**80-1/2"	99-3/4"

** = Per reference Diagram **B-B*** below, in some rare installs, it may be necessary to mount the feet to the bow using only 2 bolts, increasing the MAX Feet Hole-to-Hole mounting width by 3". **Securing feet using 4 bolts is the recommended mounting. Using only 2 bolts should only be done when absolutely necessary.**

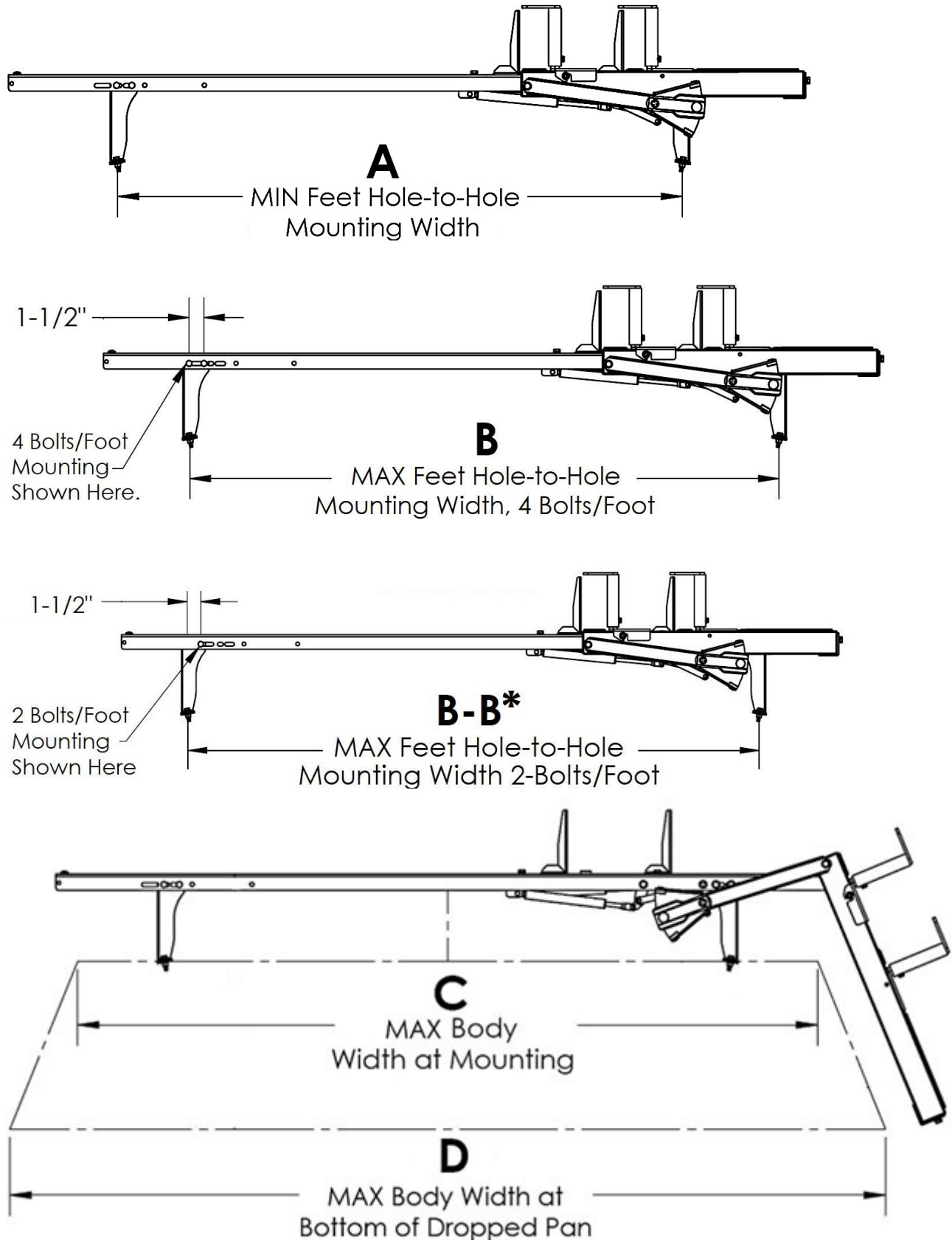
For Technical Support Call: **800-343-7486**, Monday-Friday, 7AM - 4 PM (PST)

Table B							
STEEL RACKS	Drop Down Ladder Racks		Clamp & Lock Ladder Racks		Crossbar Racks		Cargo Racks
	Passenger Side	Driver Side	Passenger Side	Driver Side	2 Bars	3 Bars	5 Crossbars
LOW ROOF COVERED SERVICE BODY (<85" HEIGHT)							
Narrow Body	4092L	40963	4082L	4081L	40821*	40822*	80160
Required Mount Kit	4A959	-	4A959	-	* 2-1/2" Maximum Crown Height		4089K
Wide Body	47953	40963	-	-	40821*	40822*	80160
Required Mount Kit	-	-	-	-	* 2-1/2" Maximum Crown Height		4089K
MID ROOF COVERED SERVICE BODY (85"-95" HEIGHT)							
Narrow Body	4097M	40983	-	-	-	-	-
Required Mount Kit	4A959	-	-	-	-	-	-
Wide Body	47973	40983	-	-	-	-	-
HIGH ROOF COVERED SERVICE BODY (>95" HEIGHT)							
Narrow Roof	4099H	40913	-	-	-	-	-
Required Mount Kit	4A959	-	-	-	-	-	-
Wide Roof	47993	40913	-	-	-	-	-

Table C							
ALUMINUM RACKS	Drop Down Ladder Racks		Clamp & Lock Ladder Racks		Crossbar Racks		Cargo Racks
	Passenger Side	Driver Side	Passenger Side	Driver Side	2 Bars	3 Bars	5 Crossbars
LOW ROOF COVERED SERVICE BODY (<85" TALL)							
Narrow Body	4A93L	4A96L	4A82L	4A81L	4A821*	4A822*	8016A
Required Mount Kit	4A959	-	4A959	-	* 2-1/2" Maximum Crown Height		4089K
Wide Body	-	-	-	-	4A821*	4A822*	8016A
Required Mount Kit	-	-	-	-	* 2-1/2" Maximum Crown Height		4089K
MID ROOF COVERED SERVICE BODY (85"-95" TALL)							
Narrow Body	4A93M	4A96M	-	-	-	-	-
Required Mount Kit	4A959	-	-	-	-	-	-
Wide Body	-	-	-	-	-	-	-
HIGH ROOF COVERED SERVICE BODY (>95" TALL)							
Narrow Roof	4A99H	4A91H	-	-	-	-	-
Required Mount Kit	4A959	-	-	-	-	-	-
Wide Roof	-	-	-	-	-	-	-

For Technical Support Call: 800-343-7486, Monday-Friday, 7AM - 4 PM (PST)

RACK REFERENCE DIAGRAMS



For Technical Support Call: 800-343-7486, Monday-Friday, 7AM - 4 PM (PST)